



Model Number

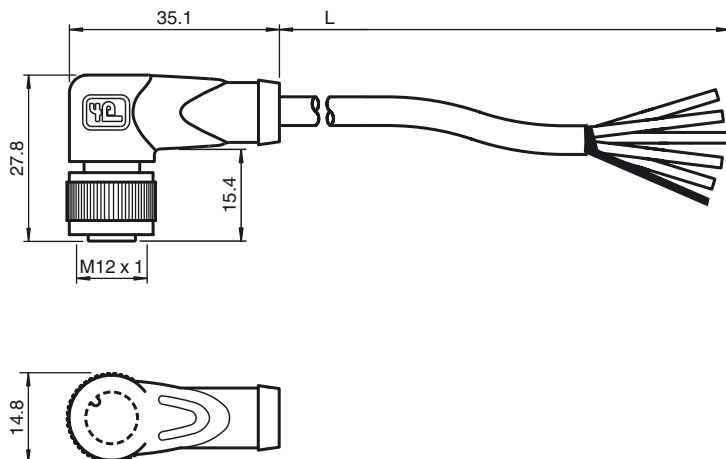
V15-W-2M-PUR-ABG

Female cordset, M12, 5-pin, shielded, PUR cable

Features

- Knurled nut suitable for tool assembly
- Immunity to vibration, with mechanical latching
- Shield attached to coupling nut
- Gold plated contacts
- Halogen-free

Dimensions



Technical data

General specifications

Number of pins 5 + shield

Electrical specifications

Operating voltage U_B max. 60 V AC/DC
 Operating current I_B max. 4 A
 Volume resistance $< 5 \text{ m}\Omega$

Ambient conditions

Ambient temperature Body: $-40 \dots 90 \text{ }^\circ\text{C}$ ($-40 \dots 194 \text{ }^\circ\text{F}$)
 cable, flexing: $-25 \dots 100 \text{ }^\circ\text{C}$ ($-13 \dots 212 \text{ }^\circ\text{F}$)
 cable, fixed: $-25 \dots 100 \text{ }^\circ\text{C}$ ($-13 \dots 212 \text{ }^\circ\text{F}$)

Pollution Degree 3

Mechanical specifications

Contact elements spring-loaded contact socket

Pin diameter 1 mm

Degree of protection IP67

Material

Contacts CuSn / Au

Contact surface Au

Body TPU, black

Cable PUR

Slotted nut Diecast zinc

Core insulation PP

Cable extra-fine wire, flexible

Sheath diameter $\varnothing 4.8 \text{ mm}$

Bending radius $> 10 \times$ cable diameter, moving

Color grey

Cores $5 \times 0.34 \text{ mm}^2$

Conductor construction $42 \times 0.1 \text{ mm } \varnothing$

Shield grid covering 85 %

Length L 2 m

Flammability

Contact material HB

Housing V-2

Compliance with standards and directives

Standard conformity

Degree of protection EN 60529:2000

Standards IEC 61076-2-101:2008

Flammability Grip: UL 94

Electrical connection

