

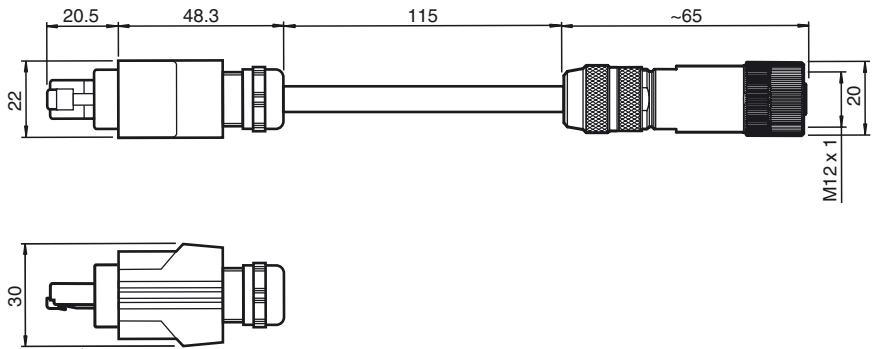


**Model Number**

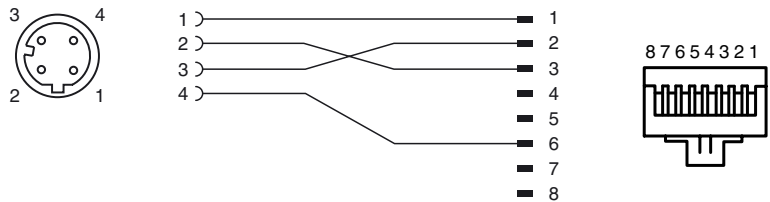
**ICZ-AIDA1-V45-0,2M-PUR-V1D-G**

RJ-45 connecting cable, D-coded to M12

**Dimensions**



**Electrical connection**



**Technical data**

**General specifications**

Number of pins	4
----------------	---

**Electrical specifications**

Rated current	1.75 A
---------------	--------

**Ambient conditions**

Ambient temperature	-25 ... 70 °C (-13 ... 158 °F)
---------------------	--------------------------------

**Mechanical specifications**

Protection degree	IP65/IP67
Connection	8-pin RJ-45, D-coded to 4-pin M12 socket
<b>Material</b>	
Contacts	CuZn
Contact surface	Au
Housing	Zinc die-casting, nickel-plated
Body	Zinc die-casting, nickel-plated
<b>Cable</b>	
Sheath diameter	5.8 mm
Color	water blue (RAL 5021)
Cores	4 x 26 AWG

Release date: 2011-11-25 13:04 Date of issue: 2012-01-09 241537\_eng.xml