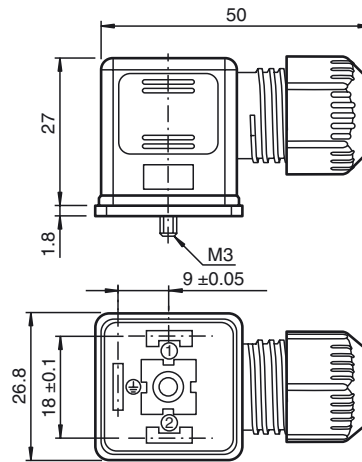




Dimensions



Model Number

VMA-2+P

Valve connector Form A, non pre-wired

Features

- Valve connector as per EN 175301-803
- Degree of protection IP67

Technical data

General specifications

Number of pins 2 + PE

Electrical specifications

Operating voltage U_B 250 V AC / 300 V DC

Operating current I_B max. 16 A

Volume resistance $< 4 \text{ m}\omega$

Ambient conditions

Ambient temperature -40 ... 90 °C (-40 ... 194 °F)

Storage temperature -40 ... 125 °C (-40 ... 257 °F)

Mechanical specifications

Degree of protection IP67

Connection Valve connector Form A screw terminal for max. 1.5 mm²; 16 AWG

Material

Contact surface Ag

Body PA, black

Seal NBR

Cable

Sheath diameter 4 ... 9 mm

Electrical connection

