

**Model number****VAZ-2E1A-F85A-S**

Emergency stop button

Features

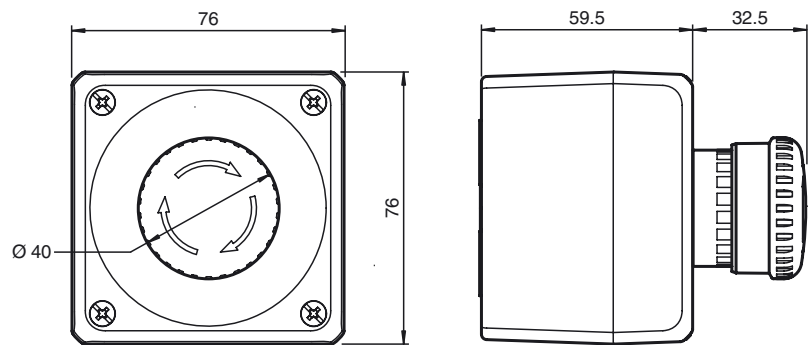
- 2-channel, compelled connected
- Integrated illumination in the actuator
- EMERGENCY STOP unlocking by turning or pulling

Matching system components**VAA-2E1A-G10-SAJ/EA2J-1M**

G10 safety module
2 safety inputs and
1 standard electronic output

VAA-2E1A-G10-SAJ/EA2J-2X1M

G10 safety module
2 safety inputs and
1 standard electronic output

Dimensions**Technical data****Electrical specifications**

Rated operating voltage	U_e	24 V AC/DC, $\pm 10\%$
Rated operating current	I_e	14 mA
Insulation resistance		$\geq 100\text{ M}\Omega$

Input

Number/Type	2 NC Safety function by positive opening in accordance with IEC/EN 60947-5-1 Reset by pulling or turning
Supply	24 V AC/DC

Output

Number/Type	LED red
Supply	24 V AC/DC

Ambient conditions

Ambient temperature	-20 ... 55 °C (-4 ... 131 °F) (no freezing)
Storage temperature	-45 ... 80 °C (-49 ... 176 °F)
Relative humidity	45 ... 80 % , noncondensing

Mechanical specifications

Protection degree	IP65 (front), IP20 (rear)
Connection	screw terminals
Life span	> 250,000 switching operations

Compliance with standards and directives

Directive conformity		
Machinery Directive 2006/42/EC	EN†ISO†13850:2008 (applicable sections)	EN†ISO†13849-1:2006 (calculation of B10d value, Appendix C)
Low Voltage Directive 2006/95/EC	EN 60947-1:2007	EN 60947-5-5/A1:2005
Standard conformity		
Functional safety	EN 60947-1:2007 , EN 60947-5-1:2005, EN 60947-5-5/A1:2005	
Protection degree	EN 60529:2000	