



Model Number

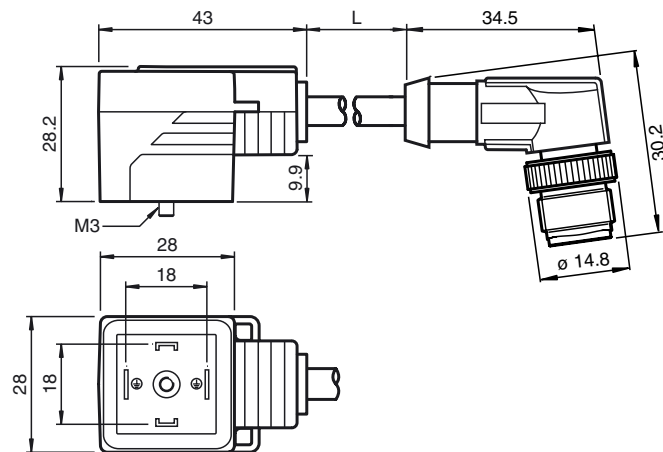
VMA-2+P-0,3M-PVC-V1-W

Valve connector, Form A, 2+PE, PVC cable, M12 plug

Features

- Valve connector according EN 175301-803 A/ISO 4400 (previously DIN 43650)
- Moulded seal
- freely selectable cable models due to bridged protective earth
- Flame resistant cable

Dimensions



Technical data

General specifications

Number of pins 2 + PE

Electrical specifications

Operating voltage U_B 250 V AC/DC

Operating current I_B max. 4 A

Volume resistance < 10 m Ω

Ambient conditions

Ambient temperature Body: -25 ... 80 °C (-13 ... 176 °F)
cable, flexing: -20 ... 80 °C (-4 ... 176 °F)
cable, fixed: -40 ... 80 °C (-40 ... 176 °F)

Pollution degree 3

Mechanical specifications

Degree of protection IP65/IP67

Connection Valve connector Form A

Material

Contacts CuSn

Contact surface Sn

Body Valve Connector Cordset TPU, black
Body TPU, black

Cable PVC

Core insulation PVC

Cable

Sheath diameter Ø 4.8 mm

Bending radius > 5 x cable diameter, moving
> 10 x cable diameter, fixed

Color black

Cores 3 x 0.5 mm², 20 AWG

Conductor construction 28 x 0.15 mm Ø

Length L 0.3 m

Electrical connection

