



Model number

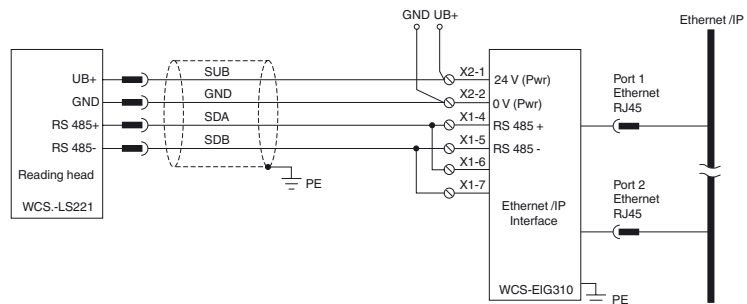
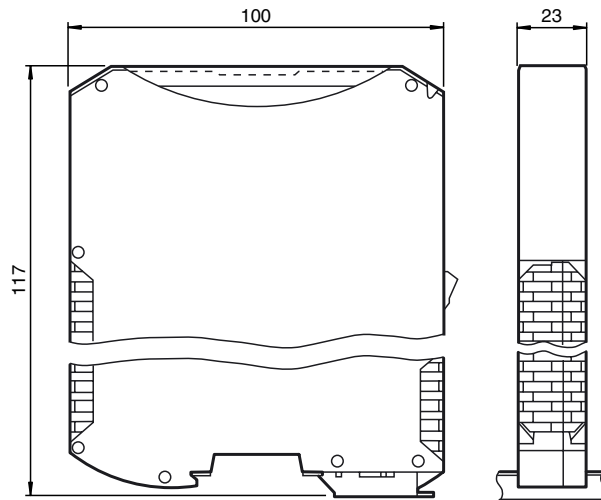
WCS-EIG310

WCS Ethernet interface module

Features

- Up to 4 read heads can be connected
- DIN rail mounting
- EtherNet/IP
- Integrated switch

Dimensions



Technical data

General specifications

Installation	DIN rail mounting
--------------	-------------------

Functional safety related parameters

MTTF _d	180 a
Mission Time (T _M)	10 a
Diagnostic Coverage (DC)	0 %

Electrical specifications

Operating voltage	U _B	10 ... 30 V DC
Power consumption	P ₀	≤ 3.6 W (without read heads)

Interface 1

Connection of	control system
Interface type	Ethernet
Protocol	EtherNet/IP
Transfer rate	10 MBit/s or 100 MBit/s
Data output format	binary code

Interface 2

Connection of	control system
Interface type	Ethernet
Protocol	EtherNet/IP
Transfer rate	10 MBit/s or 100 MBit/s
Data output format	binary code

Interface 3

Interface type	For WCS-LS121 and WCS-LS221 readers Switchable terminator Update cycle of reader: 1 ms
Physical	RS 485
Protocol	half duplex
Transfer rate	62.5 Bit/s

Release date: 2014-06-25 14:33 Date of issue: 2014-06-25 247901_eng.xml

Refer to "General Notes Relating to Pepperl+Fuchs Product Information".

Standard conformity

Emitted interference	EN 55011, cl. A: 2007
Noise immunity	EN 61000-4-2:2009, EN 61000-4-3:2006+A1:2008, EN 61000-4-4:2004, EN 61000-4-5:2006 EN 61000-6-2:2005

Ambient conditions

Operating temperature	-25 ... 85 °C (-13 ... 185 °F)
Storage temperature	-40 ... 85 °C (-40 ... 185 °F)
Relative humidity	≤ 80 %

Mechanical specifications

Connection type	Interface 1 & 2: RJ-45 socket, 8-pin Interface 3: terminal connection ≤ 2.5 mm ² , 5-pin
Degree of protection	IP20
Material	plastic
Installation position	any position
Mass	approx. 140 g