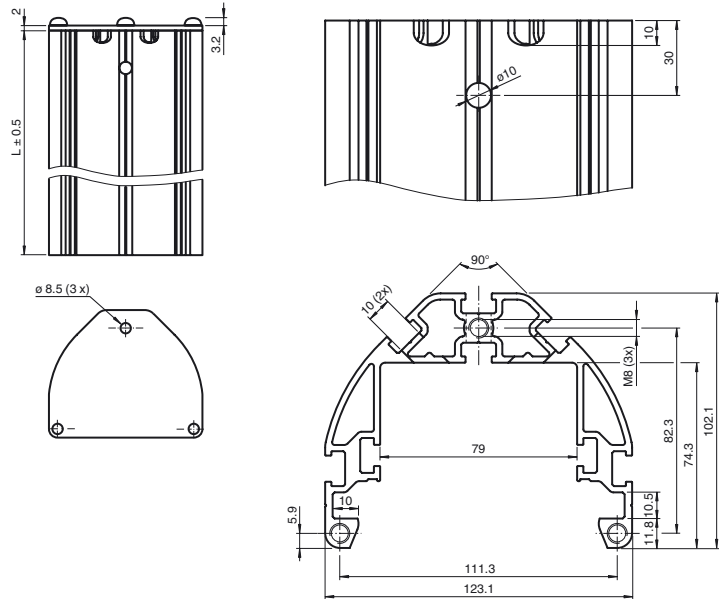




## Dimensions



## Model Number

### OMH-SLCT-100-2500

Mounting base for floor mounting and cover plate

## Features

- Eight grooves for mounting photoelectric sensors or accessories, three on the inside and five on the outside
- Corner mounting of photoelectric sensors with a directional difference of 90°
- Cover prepared for indicator light mounting

## Accessories

### OMH-SLCT-200

Floor mount

### OMH-SLCT-120-2500

Side protection for mounting base

### OMH-SLCT-10

Clamp mounting suitable for 6 mm ... 11.5 mm groove

### OMH-SLCT-11

Reverse clamp mounting suitable for 8.5 mm ... 10.5 mm groove

### OMH-SLCT-12-500

Mounting bracket, muting arm with round rod d=12 mm

## Technical data

### General specifications

Setting angle	± 5 ° with product OMH-SLCT-200
Tilting angle	± 2.5 ° with product OMH-SLCT-200

### Ambient conditions

Ambient temperature	-40 ... 80 °C (-40 ... 176 °F)
Storage temperature	-40 ... 80 °C (-40 ... 176 °F)
Relative humidity	80 % , noncondensing

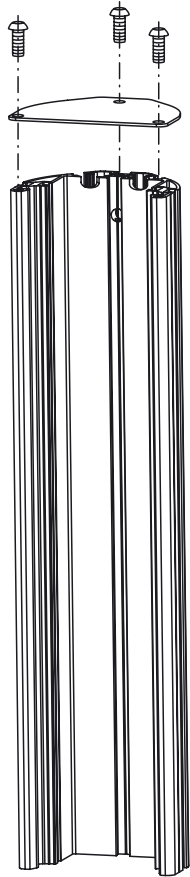
### Mechanical specifications

Housing length L	2480 mm
Material	
Housing	anodized aluminum
Mass	approx. 11.8 kg

### General information

Scope of delivery	Mounting base, cover plate The three fillister head screws for the cover plate are supplied with the floor mount
-------------------	---

Mechanical arrangement



Release date: 2017-10-04 09:53 Date of issue: 2017-10-04 251612\_eng.xml