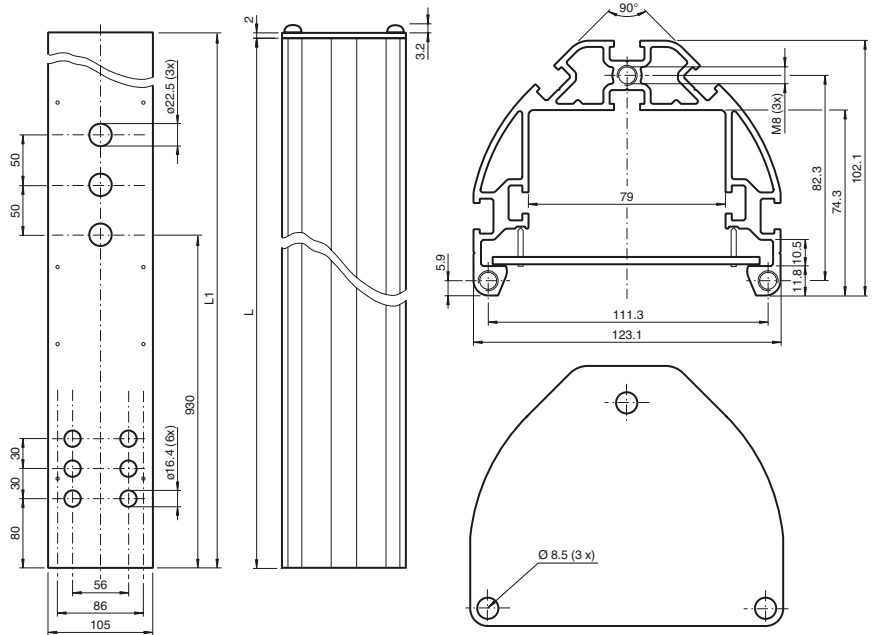




Dimensions



Model Number

OMH-SLCT-110-1200

Mounting base for floor mounting with rear panel and cover plate

Features

- Eight grooves for mounting photoelectric sensors or accessories, three on the inside and five on the outside
- Corner mounting of photoelectric sensors with a directional difference of 90°
- Cover prepared for indicator light mounting
- Rear panel prepared for 3 sensors and 6 cable glands

Accessories

OMH-SLCT-200

Floor mount

OMH-SLCT-120-1200

Side protection for mounting base

OMH-SLCT-10

Clamp mounting suitable for 6 mm ... 11.5 mm groove

OMH-SLCT-11

Reverse clamp mounting suitable for 8.5 mm ... 10.5 mm groove

OMH-SLCT-12-500

Mounting bracket, muting arm with round rod d=12 mm

Technical data

General specifications

Setting angle	± 5 ° with product OMH-SLCT-200
Tilting angle	± 2.5 ° with product OMH-SLCT-200

Ambient conditions

Ambient temperature	-40 ... 80 °C (-40 ... 176 °F)
Storage temperature	-40 ... 80 °C (-40 ... 176 °F)
Relative humidity	80 % , noncondensing

Mechanical specifications

Housing length L	1180 mm
------------------	---------

Material

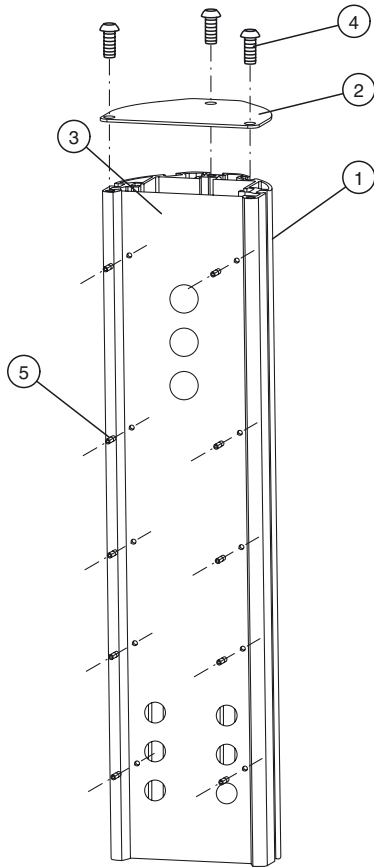
Housing	anodized aluminum , Steel
Mass	approx. 7 kg

General information

Scope of delivery	Mounting base, back plane, cover plate The three fillister head screws for the cover plate are supplied with the floor mount
-------------------	---

Release date: 2017-10-04 09:56 Date of issue: 2017-10-04 251613_eng.xml

Mechanical arrangement



1	Mounting base	2	Cover plate	3	Back plane
4	Rounded head screw M8 x 20	5	Headless screw M4 x 16		

Release date: 2017-10-04 09:56 Date of issue: 2017-10-04 251613_eng.xml