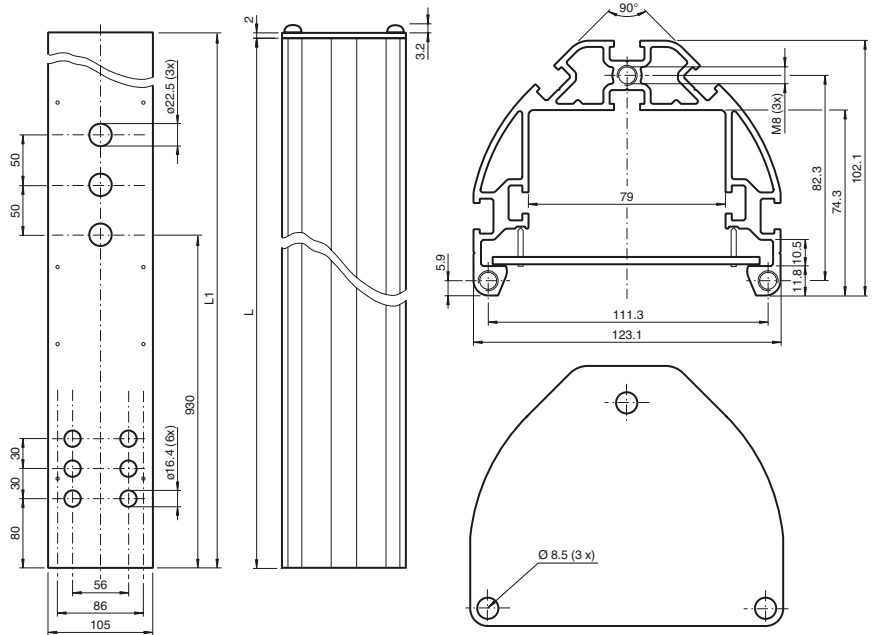




Dimensions



Model Number

OMH-SLCT-110-2100

Mounting base for floor mounting with rear panel and cover plate

Features

- Eight grooves for mounting photoelectric sensors or accessories, three on the inside and five on the outside
- Corner mounting of photoelectric sensors with a directional difference of 90°
- Cover prepared for indicator light mounting
- Rear panel prepared for 3 sensors and 6 cable glands

Accessories

OMH-SLCT-200

Floor mount

OMH-SLCT-120-2100

Side protection for mounting base

OMH-SLCT-10

Clamp mounting suitable for 6 mm ... 11.5 mm groove

OMH-SLCT-11

Reverse clamp mounting suitable for 8.5 mm ... 10.5 mm groove

OMH-SLCT-12-500

Mounting bracket, muting arm with round rod d=12 mm

Technical data

General specifications

Setting angle	± 5 ° with product OMH-SLCT-200
Tilting angle	± 2.5 ° with product OMH-SLCT-200

Ambient conditions

Ambient temperature	-40 ... 80 °C (-40 ... 176 °F)
Storage temperature	-40 ... 80 °C (-40 ... 176 °F)
Relative humidity	80 % , noncondensing

Mechanical specifications

Housing length L	2080 mm
------------------	---------

Material

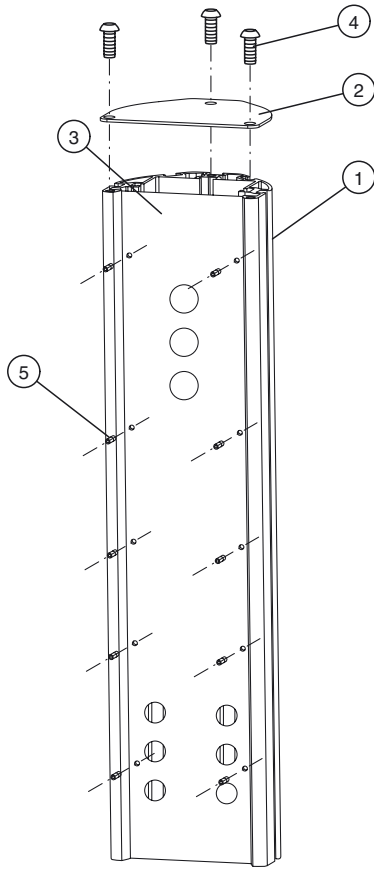
Housing	anodized aluminum , Steel
Mass	approx. 12.4 kg

General information

Scope of delivery	Mounting base, back plane, cover plate The three fillister head screws for the cover plate are supplied with the floor mount
-------------------	---

Release date: 2017-10-04 09:56 Date of issue: 2017-10-04 251615_eng.xml

Mechanical arrangement



1	Mounting base	2	Cover plate	3	Back plane
4	Rounded head screw M8 x 20	5	Headless screw M4 x 16		

Release date: 2017-10-04 09:56 Date of issue: 2017-10-04 251615_eng.xml