



Model Number

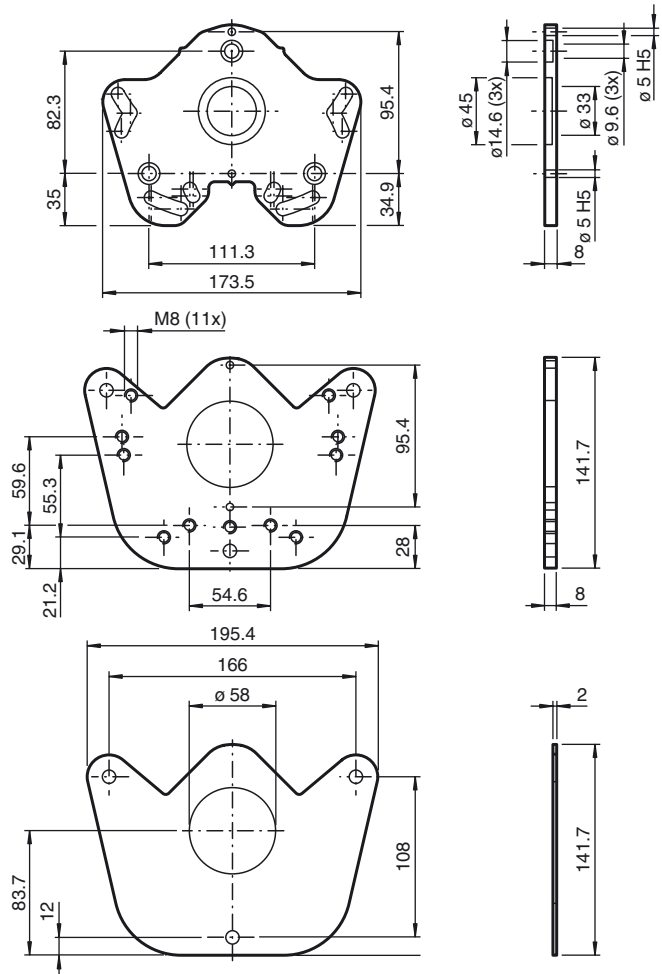
OMH-SLCT-200

Floor mount

Features

- Rotation of the SLCT-M-01 inclined mirror around the physically preferred rotational axis
- Vertical adjustment decoupled from rotation
- Mounting on ground anchors
- Lead-away of lines in floor via hole for NW29 coupling nut and corrugated hose
- Base plate to compensate for uneven ground, particularly for brittle surfaces
- Only approx. 20 mm in height from bottom edge of base plate to top edge of ground plate

Dimensions



Technical data

General specifications

Setting angle	± 5 °
Tilting angle	± 2.5 °

Ambient conditions

Ambient temperature	-40 ... 80 °C (-40 ... 176 °F)
Storage temperature	-40 ... 80 °C (-40 ... 176 °F)
Relative humidity	80 % , noncondensing

Mechanical specifications

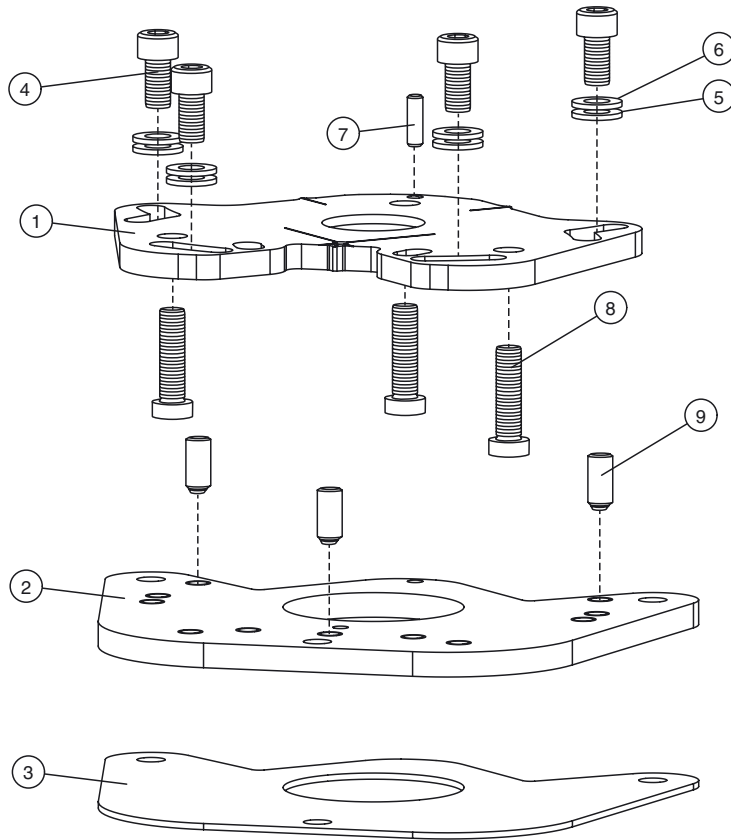
Material	
Housing	Stainless steel
Mounting screw	Steel bronzed
Mass	approx. 2.3 kg
Note	Hole for NW29 corrugated hose Ø33 mm

General information

Scope of delivery	Base plate, intermediate plate, ground plate, drilling plan Mounting accessories M8 ground anchor not included with delivery
-------------------	--

Release date: 2017-10-04 09:56 Date of issue: 2017-10-04 251622_eng.xml

Mechanical arrangement



1	Base plate	4	Socket cap screw M8 x 16	7	Cylindrical pin 5m6 x 16
2	Intermediate plate	5	Washer	8	Socket cap screw M8 x 30
3	Ground plate	6	Lock washer	9	Headless screw M8 x 16

Accessories

- OMH-SLCT-100-1200**
Mounting base for floor mounting and cover plate
- OMH-SLCT-100-1500**
Mounting base for floor mounting and cover plate
- OMH-SLCT-100-2100**
Mounting base for floor mounting and cover plate
- OMH-SLCT-100-2500**
Mounting base for floor mounting and cover plate
- OMH-SLCT-110-1200**
Mounting base for floor mounting with rear panel and cover plate
- OMH-SLCT-110-1500**
Mounting base for floor mounting with rear panel and cover plate
- OMH-SLCT-110-2100**
Mounting base for floor mounting with rear panel and cover plate
- OMH-SLCT-110-2500**
Mounting base for floor mounting with rear panel and cover plate
- SLCT-M-01-1200**
Inclined mirror for stable 90° deflection with cover plate
- SLCT-M-01-1500**
Inclined mirror for stable 90° deflection with cover plate
- SLCT-M-01-2100**
Inclined mirror for stable 90° deflection with cover plate
- SLCT-M-01-2500**
Inclined mirror for stable 90° deflection with cover plate

Release date: 2017-10-04 09:56 Date of issue: 2017-10-04 251622_eng.xml