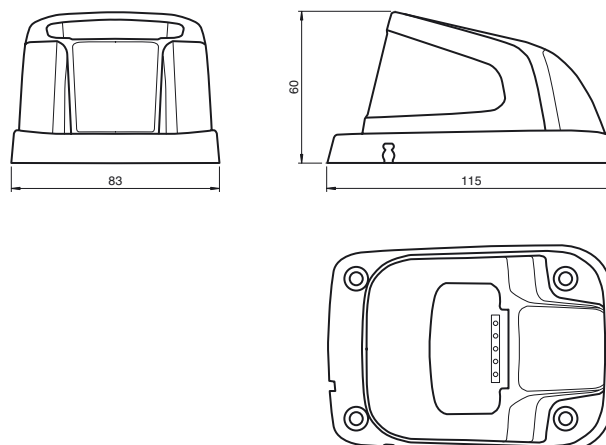




Dimensions



Model Number

OHV-CHARGER

Charger for OHV200

Function

The OHV-CHARGER-B15 charger allows you to charge the OHV200* handheld. The charger also includes a mini USB connection for transferring data.

Accessories

USB-G-1M-PVC-ABG-USBB-G
Adapter cable, USB to mini USB

ODZ-MAH-SUPPLY
Power supply

ODZ-MAH-5V-110V
Power supply

Technical data

Indicators/operating means

Operation indicator LED green

Electrical specifications

Operating voltage U_B 5 V DC
Operating current I_B max. 1 A

Interface

Physical Mini USB

Output

Output rated operating current \leq 514 mA
Output voltage 4.2 V DC

Ambient conditions

Ambient temperature -20 ... 55 °C (-4 ... 131 °F)
Storage temperature -30 ... 65 °C (-22 ... 149 °F)

Mechanical specifications

Connection Supply voltage: 5.5 mm hollow socket
Interface : Mini USB

Mass 139 g
Dimensions 115 mm x 83 mm x 60 mm (l x w x h)

General information

Scope of delivery charger

Compliance with standards and directives

Standard conformity
Emitted interference EN 55022:2006