



**Model Number**

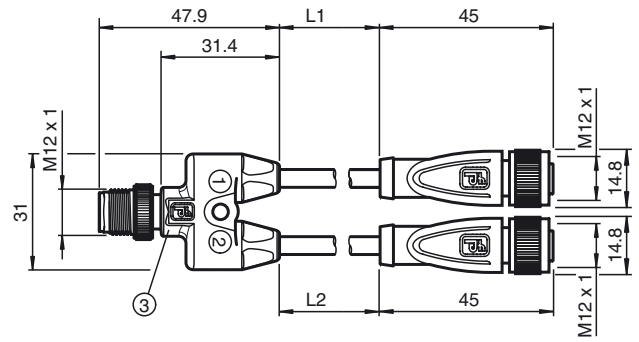
**V1-G-BK1M-PUR-A-TV1-G**

Y connecting cable, M12 to 2xM12, 4-pin, PUR cable

**Features**

- Simple assembling of 2 signals to one M12 plug-in station
- Improved resistance to weld slag
- Immunity to vibration, with mechanical latching
- Suitable for drag chains
- Suitable for robotic applications / torsion resistant
- Flame resistant cable
- Halogen-free
- Resistant to microbes and hydrolysis
- Free of paint coating substances
- cURus approval

**Dimensions**



**Technical data**

**General specifications**

Number of pins	4
UL File Number	E231213

**Electrical specifications**

Operating voltage	$U_B$	max. 30 V AC/DC
Operating current	$I_B$	max. 4 A
Volume resistance		$\leq 5 \text{ m}\Omega$
Surge protection		overvoltage category III

**Ambient conditions**

Ambient temperature	Body: -40 ... 90 °C (-40 ... 194 °F) cable, fixed: -40 ... 80 °C (-40 ... 176 °F) cable, flexing: -25 ... 80 °C (-13 ... 176 °F)
Pollution Degree	3

**Mechanical specifications**

Contact elements	spring-loaded contact socket
Pin diameter	1 mm
Degree of protection	IP67
Connection	1 x M12 connector, straight 2 x M12 straight sockets

**Material**

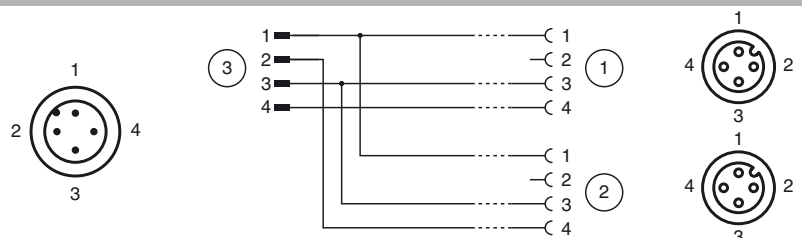
Contacts	CuSn / Au
Contact surface	Au
Body	TPU, black
Cable	PUR
Slotted nut	Diecast zinc
Sleeve connector	Diecast zinc
Core insulation	PP
Cable	extra-fine wire, flexible
Sheath diameter	$\varnothing 4.3 \text{ mm}$
Bending radius	> 10 x cable diameter, moving > 5 x cable diameter, fixed
Color	black
Cores	4 x 0.34 mm <sup>2</sup>
Conductor construction	42 x 0.1 mm $\varnothing$
Length	L L1 = 1 m L2 = 1 m

**Drag chain suitability**

Drag chain cycles	$\geq 5000000$ (at max. 60 °C)
Motion velocity	$\leq 3.3 \text{ m/s}$
Traverse distance	5 m horizontal
Acceleration	$\leq 5 \text{ m/s}^2$
Torsion cycles	$\geq 1000000$ (at max. 60 °C)
Torsional stress	$\pm 180 \text{ }^\circ/\text{m}$

**Flammability**

**Electrical connection**



Release date: 2015-06-24 12:02 Date of issue: 2015-06-24 252970\_eng.xml

Refer to "General Notes Relating to Pepperl+Fuchs Product Information".

Contact material	94 HB
Housing	94 V-2
Cable	FT2
<b>Compliance with standards and directives</b>	
Standard conformity	
Degree of protection	EN 60529:2000
Standards	IEC 61076-2-101:2008
Flammability	Grip: UL 94 Cable: UL 758 / UL 1581
Halogen-free	IEC 60754-1:1994/DIN VDE 0472-815

Release date: 2015-06-24 12:02 Date of issue: 2015-06-24 252970\_eng.xml