

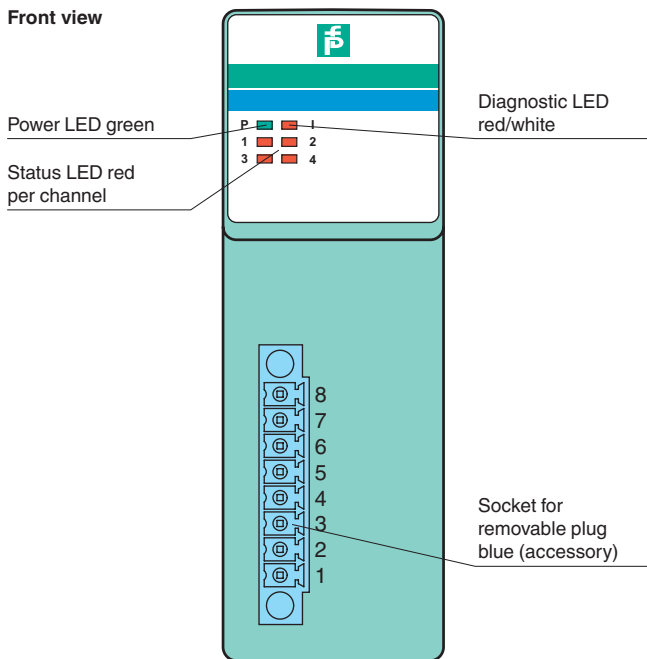
Features

- 4-channel
- Outputs Ex ia
- Mounting in Zone 2, Class I/Div.2 or in the safe area
- Analog output module for 0/4 mA ... 20 mA
- Simulation mode for service operations (forcing)
- Line fault detection (LFD): one LED per channel
- Permanently self-monitoring
- Module can be exchanged under voltage

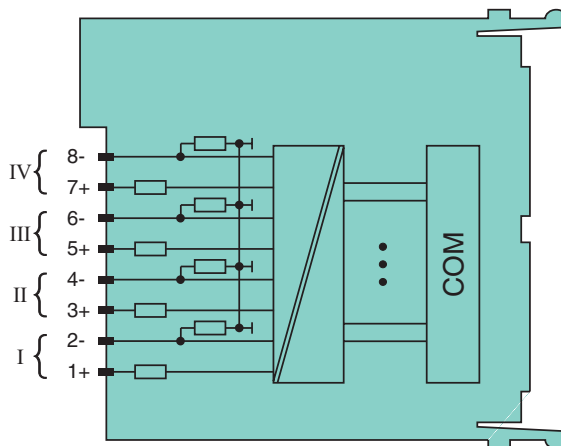
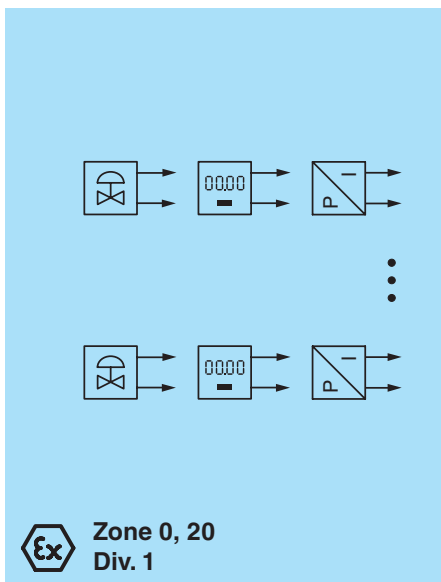
Function

The device drives positioners, proportional valves, I/P converters, or local indicators.
 Open and short circuit line faults are detected.
 The outputs are galvanically isolated from the bus and the power supply.

Assembly



Connection



Zone 2
Div. 2

Release date 2018-09-14 09:53 Date of issue 2018-09-14 254725_eng.xml

Refer to "General Notes Relating to Pepperl+Fuchs Product Information".

Pepperl+Fuchs Group
www.pepperl-fuchs.com

USA: +1 330 486 0002
pa-info@us.pepperl-fuchs.com

Germany: +49 621 776 2222
pa-info@de.pepperl-fuchs.com

Singapore: +65 6779 9091
pa-info@sg.pepperl-fuchs.com

Slots	
Occupied slots	2
Supply	
Connection	backplane bus
Rated voltage	U_r 12 V DC , only in connection with the power supplies LB9***
Power dissipation	2.15 W
Power consumption	3.3 W
Internal bus	
Connection	backplane bus
Interface	manufacturer-specific bus to standard com unit
Analog output	
Number of channels	4
Suitable field devices	
Field device	Proportional Valve
Field device [2]	I/P converters
Field device [3]	on-site display
Connection	terminals 1+, 2-; 3+, 4-; 5+, 6-; 7+, 8-
Current	0 ... 25 mA short-circuit protected
Line fault detection	can be switched on/off for each channel via configuration tool , configurable via configuration tool
Short-circuit	factory setting: < 50 Ω configurable between 0 ... 26 mA
Open-circuit	deviation of preset output value > 0.5 mA
Load	750 Ω max.
HART communication	no
HART secondary variable	no
Watchdog	within 0.5 s the device goes in safe state, e.g. after loss of communication
Transfer characteristics	
Deviation	
After calibration	0.1 % of the signal range at 20 °C (68 °F)
Influence of ambient temperature	0.1 %/10 K of the signal range
Refresh time	100 ms
Indicators/settings	
LED indication	Power LED (P) green: supply Diagnostic LED (I) red: module fault , red flashing: communication error , white: fixed parameter set (parameters from com unit are ignored) , white flashing: requests parameters from com unit Status LED (1-4) red: line fault (lead breakage or short circuit)
Coding	optional mechanical coding via front socket
Directive conformity	
Electromagnetic compatibility	
Directive 2014/30/EU	EN 61326-1:2006
Conformity	
Electromagnetic compatibility	
Degree of protection	NE 21:2007
Environmental test	IEC 60529:2000
Shock resistance	EN 60068-2-14:2009
Vibration resistance	EN 60068-2-27:2009
Damaging gas	EN 60068-2-6:2008
Relative humidity	EN 60068-2-42:2003
Ambient conditions	
Ambient temperature	-20 ... 60 °C (-4 ... 140 °F)
Storage temperature	-25 ... 85 °C (-13 ... 185 °F)
Relative humidity	95 % non-condensing
Shock resistance	shock type I, shock duration 11 ms, shock amplitude 15 g, number of shocks 18
Vibration resistance	frequency range 10 ... 150 Hz; transition frequency: 57.56 Hz, amplitude/acceleration \pm 0.075 mm/1 g; 10 cycles frequency range 5 ... 100 Hz; transition frequency: 13.2 Hz amplitude/acceleration \pm 1 mm/0.7 g; 90 minutes at each resonance
Damaging gas	designed for operation in environmental conditions acc. to ISA-S71.04-1985, severity level G3
Mechanical specifications	
Degree of protection	IP20 when mounted on backplane
Connection	removable front connector with screw flange (accessory) wiring connection via spring terminals (0.14 ... 1.5 mm ²) or screw terminals (0.08 ... 1.5 mm ²)
Mass	approx. 150 g
Dimensions	32.5 x 100 x 102 mm (1.28 x 3.9 x 4 inch)
Data for application in connection with hazardous areas	
EU-Type Examination Certificate	BVS 11 ATEX E 116 X

Release date 2018-09-14 09:53 Date of issue 2018-09-14 254725_eng.xml

Refer to "General Notes Relating to Pepperl+Fuchs Product Information".

Pepperl+Fuchs Group
www.pepperl-fuchs.com

USA: +1 330 486 0002
pa-info@us.pepperl-fuchs.com

Germany: +49 621 776 2222
pa-info@de.pepperl-fuchs.com

Singapore: +65 6779 9091
pa-info@sg.pepperl-fuchs.com

Marking	Ex II 3(1) G Ex nA [ia Ga] IIC T4 Gc Ex I (M1) [Ex ia Ma] I Ex II (1) D [Ex ia Da] IIIC	
Output		
Voltage	U_o	27 V
Current	I_o	87 mA
Power	P_o	575 mW (linear characteristic)
Galvanic isolation		
Output/power supply, internal bus	safe electrical isolation acc. to EN 60079-11, voltage peak value 375 V	
Directive conformity		
Directive 2014/34/EU	EN 60079-0:2009 EN 60079-11:2007 EN 60079-15:2010 EN 60079-26:2007 EN 61241-11:2006	
International approvals		
ATEX approval	BVS 11 ATEX E 116X	
UL approval	E106378	
IECEx approval	BVS 11.0068X	
Approved for	Ex nAc [ia] IIC T4 [Ex ia] IIIC [Ex ia] I	
Marine approval		
Lloyd Register	15/20021	
Bureau Veritas Marine	22449/B0 BV	
General information		
System information	The module has to be mounted in appropriate backplanes (LB9***) in Zone 2 or outside hazardous areas. Here, observe the corresponding declaration of conformity. For use in hazardous areas (e. g. Zone 2, Zone 22 or Div. 2) the module must be installed in an appropriate enclosure.	
Supplementary information	EC-Type Examination Certificate, Statement of Conformity, Declaration of Conformity, Attestation of Conformity and instructions have to be observed where applicable. For information see www.pepperl-fuchs.com .	

Release date 2018-09-14 09:53 Date of issue 2018-09-14 254725_eng.xml

Refer to "General Notes Relating to Pepperl+Fuchs Product Information".

Pepperl+Fuchs Group
www.pepperl-fuchs.com

USA: +1 330 486 0002
pa-info@us.pepperl-fuchs.com

Germany: +49 621 776 2222
pa-info@de.pepperl-fuchs.com

Singapore: +65 6779 9091
pa-info@sg.pepperl-fuchs.com