



### Model Number

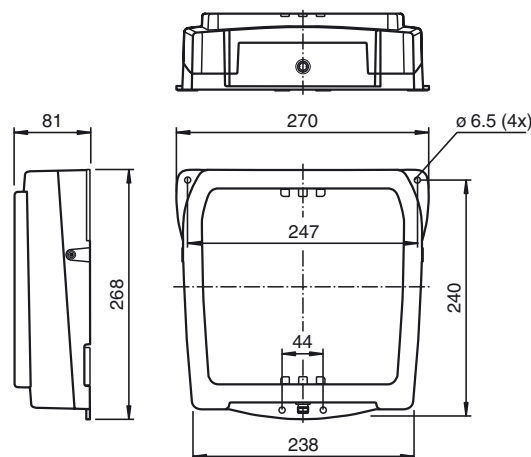
**IUH-F192-V1-FR1**

Read/Write head for IDENTControl, Europe, Middle East and Africa

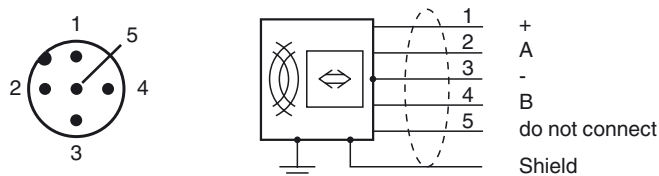
### Features

- Flexible UHF read/write head with long range for use worldwide
- Ready-made PLC function blocks designed for quick and easy system integration
- Compact and robust housing for harsh industrial environments
- Switchable antenna polarization guarantees reliable tag detection and enhances process flow
- Multi-tag reading of up to 200 tags increases productivity
- For connection to IDENTControl control interface

### Dimensions



### Electrical connection



### Technical data

#### General specifications

Operating frequency	865 MHz ... 868 MHz: EU, Turkey 865 MHz ... 867 MHz: India 866 MHz ... 867.6 MHz: Russia Transmission licenses for other countries on request
Emitted power	10 ... 2000 mW ERP (ETSI 302208) adjustable
Operating distance	typ. 4 m

#### Functional safety related parameters

MTTF <sub>d</sub>	128 a
-------------------	-------

#### Indicators/operating means

LED green	Power on
LED yellow	Read/write operation successful
LED blue	Transmission mode

#### Electrical specifications

Power consumption	$P_0$	≤ 10 W
Supply		from the IDENTControl

#### Ambient conditions

Ambient temperature	-25 ... 70 °C (-13 ... 158 °F)
Storage temperature	-40 ... 85 °C (-40 ... 185 °F)

#### Mechanical specifications

Degree of protection	IP67
Connection	M12 x 1 connector
Material	
Housing	PA 6
Base	diecast aluminum
Mass	approx. 3000 g

#### Compliance with standards and directives

Directive conformity	
R&TTE Directive 1995/5/EC	EN 301489-1 V1.9.2:2011 EN 301489-3 V1.6.1:2013 EN 302208-2 V1.4.1:2012 EN 60950-1:2006/A1:2010 EN 50364:2010

Standard conformity	
Degree of protection	EN 60529:2000

#### Approvals and certificates

Radio approval	EU: DOC-2318 India: ETA-103/2016-RLO(SR)/2441
----------------	--

**Notes**

This product is a wireless device and may be operated only in the country for which a transmission license exists. Information regarding transmission licenses can be found on the datasheet for the product. If a product is released to a customer in a country for which there is no transmission license, the product may be operated only in the country for which a transmission license exists.

If a product does not correspond to the legal requirements in force in the EU but is released to a purchaser within the EU, the product is intended for use solely in the destination country of the end customer outside of the EU for which a transmission license exists. The product may therefore under no circumstances be used directly by the purchaser or released to third parties for the purpose of distribution, application or use on the market within the EU as part of a commercial activity.

In the event of an infringement, the purchaser is obliged to indemnify the supplier against any resulting damages, costs, penalty payments and other expenses.

**Function**

The IUH-F192-V1-FR1 read/write head operates in the UHF frequency range and is optimized for use in industrial applications involving greater distances. The device reads and writes passive tags in line with EPC Generation 2 (ISO/IEC 18000-63). The dense reader mode that has been implemented, which operates in accordance with ETSI EN 302208-1, prevents read/write heads installed in close proximity from interfering with one another.

Wide range of options supported for filtering data. The read/write head is connected to the IDENTControl interface using an M12 connector. The user can monitor the status of the read/write head using the integrated LEDs.

The read/write head has a typical detection range of around 4 meter; this range is determined by the tag used and can be adjusted by selecting the transmission power. Other influencing factors include the setup and installation for the specific application in question, interference from materials present in the area (in particular metal), and the ambient conditions. The read and write distances for the relevant tag, which are detailed separately, have been established in a test laboratory under ideal conditions. For this reason, the combination of read/write head and tag must be tested for the intended application under real conditions.

Release date: 2018-06-25 10:33 Date of issue: 2018-06-25 256079\_eng.xml

**Accessories****IC-KP-B17-AIDA1**

IDENTControl control interface  
With Ethernet interface for TCP/IP,  
PROFINET, EtherNet/IP, and MODBUS  
TCP protocols

**IC-KP2-1HB17-2V1D**

IDENTControl Compact control interface  
With Ethernet interface for TCP/IP,  
PROFINET, EtherNet/IP, and MODBUS  
TCP protocols

**IC-KP2-2HB17-2V1D**

IDENTControl Compact control interface  
With Ethernet interface for TCP/IP,  
PROFINET, EtherNet/IP, and MODBUS  
TCP protocols

**Accessories****IC-KP2-1HB6-V15B**

Control interface unit  
IDENTControl Compact  
with PROFIBUS DP interface

**IC-KP2-2HB6-V15B**

Control interface unit  
IDENTControl Compact  
with PROFIBUS DP interface

**IC-KP2-1HB6-2V15B**

Control interface unit  
IDENTControl Compact  
with PROFIBUS DP interface

**IC-KP2-1HRX-2V1**

Control interface unit  
IDENTControl Compact  
with serial interface RS-232 and RS-485

**IC-KP2-2HRX-2V1**

Control interface unit  
IDENTControl Compact  
with serial interface RS-232 and RS-485

**IC-KP2-2HB21-2V1D**

Control interface unit  
IDENTControl Compact  
with EtherCAT interface

**V1-G-5M-PUR-ABG-V1-W**

Connecting cable, M12 to M12, PUR ca-  
ble 4-pin, shielded

**V1-G-10M-PUR-ABG-V1-W**

Connecting cable, M12 to M12, PUR ca-  
ble 4-pin, shielded

**IUC72-F152-M-FR1**

Data carrier

**IUC76-50-FR1**

Data carrier

**IUC76-F157-M-FR1**

Data carrier

**IUC76-F203-M-FR1 10pcs**

Data carrier

**IUC76-C8-T14-GBL**

Data carrier

**IUC77-F151-M-GBL**

Data carrier

**IUC77-25L100-GBL 1000pcs**

Data carrier

**IUC77-25L110-GBL 1000pcs**

Data carrier

**IUC78-17L73-GBL-Y270371 15Kpcs**

Data carrier

**IUZ-MH13**

Mounting bracket for wall mounting

**IUZ-MH15**

Mounting aid for round steel  $\varnothing$  12 mm or  
sheet 1.5 mm ... 3 mm

**IUC76-F157-T17-M-FR1**

Data carrier for standard applications

**IUC76-F157-T17-M-FR2**

Release date: 2018-06-25 10:33 Date of issue: 2018-06-25 256079\_eng.xml

**Accessories**

Data carrier for standard applications

**IUC76-F157-T18-M-FR1**

Data carrier for paint shop applications

**IUC76-F157-T18-M-FR2**

Data carrier for paint shop applications

**IUC76-F157-T19-M-FR1**

Data carrier for autoclave applications

**IUC76-F157-T19-M-FR2**

Data carrier for autoclave applications

Release date: 2018-06-25 10:33 Date of issue: 2018-06-25 256079\_eng.xml

Refer to "General Notes Relating to Pepperl+Fuchs Product Information".

Pepperl+Fuchs Group  
www.pepperl-fuchs.com

USA: +1 330 486 0001  
fa-info@us.pepperl-fuchs.com

Germany: +49 621 776 4411  
fa-info@de.pepperl-fuchs.com

Singapore: +65 6779 9091  
fa-info@sg.pepperl-fuchs.com