



Model Number

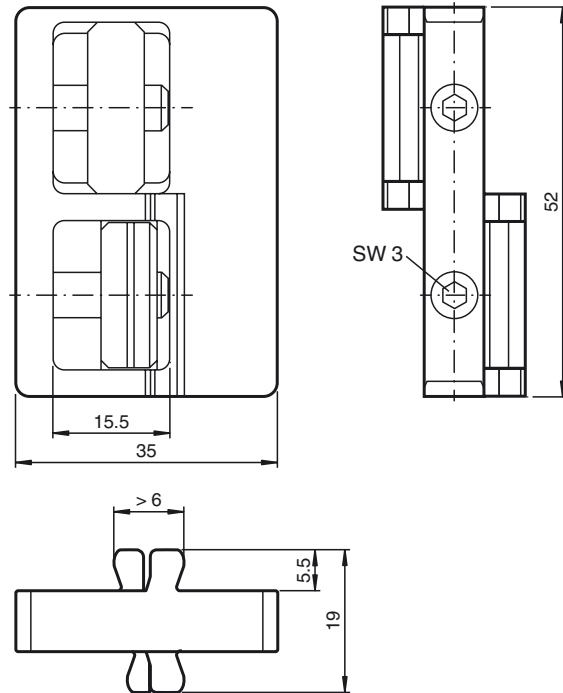
OMH-SLCT-10

Clamp mounting suitable for 6 mm ...
11.5 mm groove

Features

- Clamp
- Connects two parts with groove
- Parts can be removed individually
- Flat housing
- Suitable for 6.0 mm ... 11.5 mm grooves

Dimensions



Technical data

Ambient conditions

Ambient temperature	-40 ... 80 °C (-40 ... 176 °F)
Storage temperature	-40 ... 80 °C (-40 ... 176 °F)

Mechanical specifications

Material	
Housing	anodized aluminum
Mounting screw	Steel
Mass	approx. 38 g
Tightening torque, fastening screws	2.5 Nm

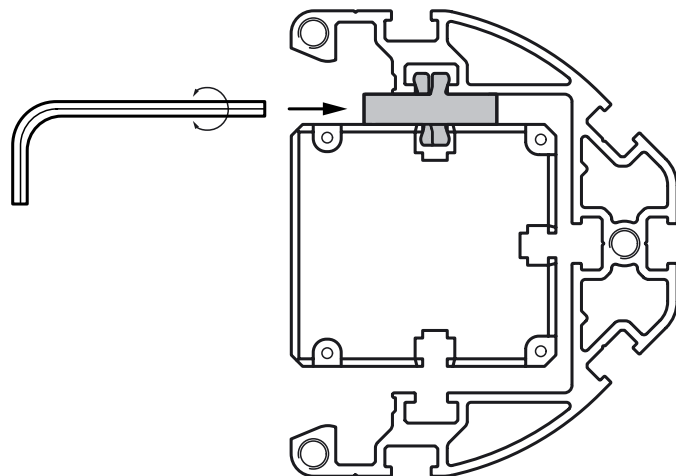
General information

Scope of delivery	Mounting aid ; Allen wrench SW3
-------------------	---------------------------------

Suitable series

Safety Series	OMH-SLCT-100 OMH-SLCT-110 SLP / SLC LGS / LGM
---------------	--

Mechanical arrangement



Recommendation

Use at least two mounting brackets for mounting. The distance between the two mounting brackets must not exceed 600 mm.