



**Model Number**

**V1-6A-E2-5M-PUR**

6-way passive distributor with master cable

**Features**

- LED indicator for module supply and I/O status
- UL Recognized Component
- Suitable for drag chains

**Accessories**

**VAZ-V1-B3**

Blind plug for M12 sockets

**MH 05-SACB-4**

Mounting aid for splitter boxes for DIN rail

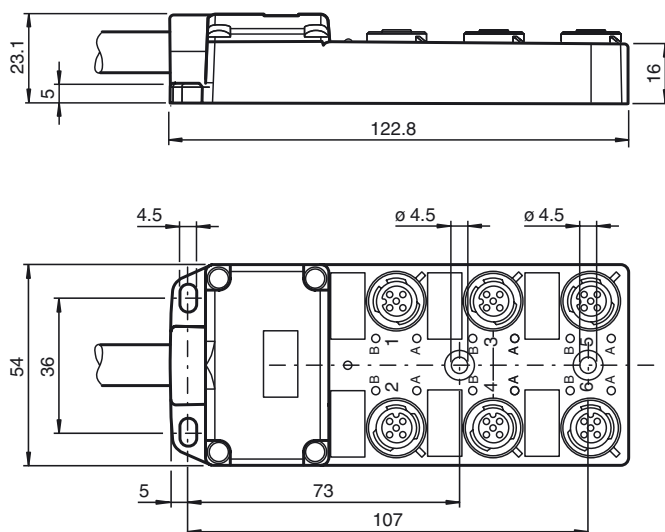
**MH V1-BIT M12**

plug-in cap M12

**MH V1-SCREWDRIVER**

torque screwdriver (0.6 Nm)

**Dimensions**



**Technical data**

**General specifications**

Number of pins	4
UL File Number	E191152

**Electrical specifications**

Operating voltage	U <sub>B</sub>	24 V DC, max. 30 V DC
Operating current	I <sub>B</sub>	≤ 5 mA per channel indication element
Current loading capacity		≤ 2 A per channel, ≤ 4 A per plug-in station, ≤ 12 A total current per separator

**Output**

Number/Type	6
-------------	---

**Ambient conditions**

Ambient temperature	housing: -25 ... 80 °C (-13 ... 176 °F) cable, flexing: -5 ... 80 °C (23 ... 176 °F) cable, fixed: -40 ... 90 °C (-40 ... 194 °F)
---------------------	---

**Mechanical specifications**

Connection type	6 x socket M12 x 1 4-pin Master cable
Degree of protection	IP65/IP67
Material	
Contacts	Cu alloy
Contact surface	Au
Housing	PBT
Threaded bushings	PBT
Cable	PUR
Seal	O-ring: NBR
Core insulation	PVC
Cable	flexible
Sheath diameter	Ø 6.9 mm
Bending radius	> 10 x cable diameter, moving > 7.5 x cable diameter, fixed
Color	black
Cores	Signalling line (4): 4 x 0.34 mm <sup>2</sup> (AWG 22) Supply line (1, 3), PE (5): 3 x 0.75 mm <sup>2</sup> (AWG 18)
Conductor construction	19 x 0.15 mm Ø and 42 x 0.15 mm Ø
Length	L 5 m
Drag chain suitability	
Drag chain cycles	≥ 1500000
Motion velocity	≤ 2 m/s
Traverse distance	2 m
Mass	approx. 540 g

**Compliance with standards and directives**

Release date: 2018-11-14 10:37 Date of issue: 2018-11-14 258117\_eng.xml

Refer to "General Notes Relating to Pepperl+Fuchs Product Information".

Pepperl+Fuchs Group  
www.pepperl-fuchs.com

USA: +1 330 486 0001  
fa-info@us.pepperl-fuchs.com

Germany: +49 621 776 4411  
fa-info@de.pepperl-fuchs.com

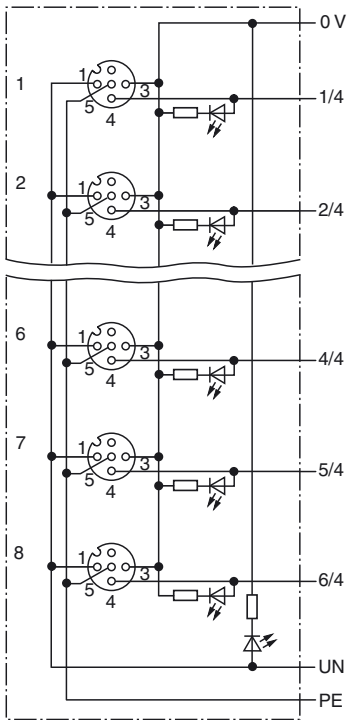
Singapore: +65 6779 9091  
fa-info@sg.pepperl-fuchs.com

Standard conformity

Degree of protection EN 60529

Flammability DIN EN 50265-2-1

Electrical connection



Slot/Pin (signal)	Color
1 / 4 (A)	WH
2 / 4 (A)	GN
3 / 4 (A)	YE
4 / 4 (A)	GY
5 / 4 (A)	PK
6 / 4 (A)	RD
1-6 / 1 (UN)	BN
1-6 / 3 (0 V)	BU
1-6 / 5 (PE)	GN/YE

