



Model Number

V1-8/16A-E2-5M-PUR

Splitter box octuple, twin configuration, with trunk cable

Features

- Twin communication of the plug-in stations
- UL Recognized Component
- Suitable for drag chains

Accessories

VAZ-V1-B3

Blind plug for M12 sockets

MH 05-SACB-8

Mounting aid for splitter boxes for DIN rail

V15S-T-V15

Y-splitter, M12 connector on M12 socket/ socket

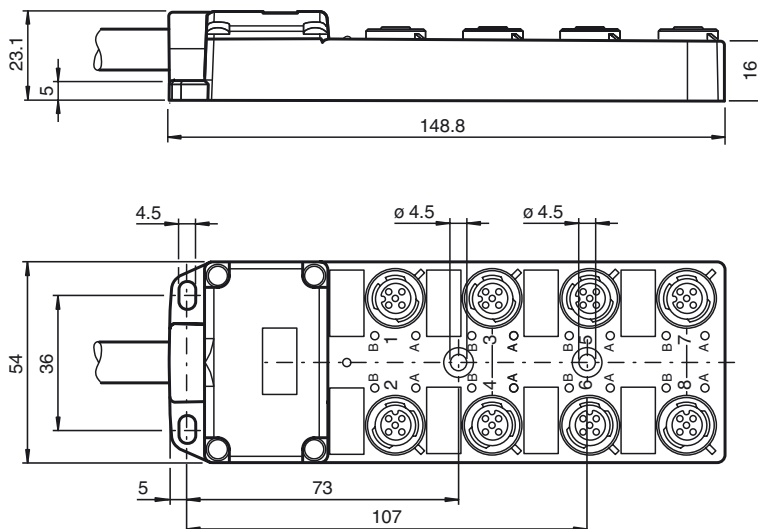
MH V1-BIT M12

plug-in cap M12

MH V1-SCREWDRIVER

torque screwdriver (0.6 Nm)

Dimensions



Technical data

General specifications

Number of pins	5
UL File Number	E191152

Electrical specifications

Operating voltage	U _B	24 V DC, max. 30 V DC
Operating current	I _B	≤ 5 mA per channel indication element
Current loading capacity		≤ 2 A per channel, ≤ 4 A per plug-in station, ≤ 12 A total current per separator

Output

Number/Type	8 , twin configuration
-------------	------------------------

Ambient conditions

Ambient temperature	housing: -25 ... 80 °C (-13 ... 176 °F) cable, flexing: -5 ... 80 °C (23 ... 176 °F) cable, fixed: -40 ... 90 °C (-40 ... 194 °F)
---------------------	---

Mechanical specifications

Connection type	8 x socket M12 x 1 5-pin Master cable
Degree of protection	IP65/IP67
Material	
Contacts	Cu alloy
Contact surface	Au
Housing	PBT
Threaded bushings	PBT
Cable	PUR
Seal	O-ring: NBR
Core insulation	PVC
Cable	flexible
Sheath diameter	Ø 10.5 mm
Bending radius	> 10 x cable diameter, moving > 7.5 x cable diameter, fixed
Color	black
Cores	Signal wire (2, 4): 16 x 0.5 mm ² Supply wire (1, 3), PE (5): 3 x 1 mm ²
Conductor construction	28 x 0.15 mm Ø and 56 x 0.15 mm Ø
Length	L 5 m
Drag chain suitability	
Drag chain cycles	≥ 1500000
Motion velocity	≤ 2 m/s
Traverse distance	2 m
Mass	approx. 1152 g
Flammability	94 V-0

Release date: 2018-11-14 10:37 Date of issue: 2018-11-14 259979_eng.xml

Refer to "General Notes Relating to Pepperl+Fuchs Product Information".

Pepperl+Fuchs Group
www.pepperl-fuchs.com

USA: +1 330 486 0001
fa-info@us.pepperl-fuchs.com

Germany: +49 621 776 4411
fa-info@de.pepperl-fuchs.com

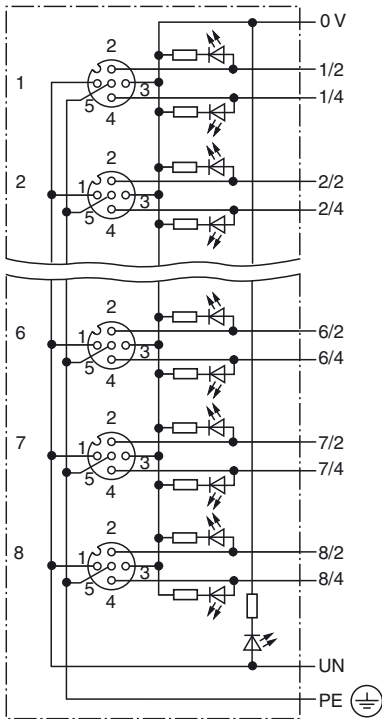
Singapore: +65 6779 9091
fa-info@sg.pepperl-fuchs.com

Compliance with standards and directives

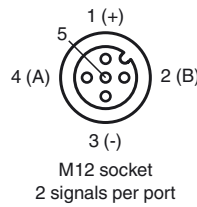
Standard conformity

Degree of protection	EN 60529
Flammability	DIN EN 50265-2-1

Electrical connection



Port/Pin (signal)	Color
1 / 4 (A)	WH
1 / 2 (B)	GY/PK
2 / 4 (A)	GN
2 / 2 (B)	RD/BU
3 / 4 (A)	YE
3 / 2 (B)	WH/GN
4 / 4 (A)	GY
4 / 2 (B)	BN/GN
5 / 4 (A)	PK
5 / 2 (B)	WH/YE
6 / 4 (A)	RD
6 / 2 (B)	YE/BN
7 / 4 (A)	BK
7 / 2 (B)	WH/GY
8 / 4 (A)	VT
8 / 2 (B)	GY/BN
1-8 / 1 (UN)	BN
1-8 / 3 (0 V)	BU
1-8 / 5 (PE)	GN/YE



Release date: 2018-11-14 10:37 Date of issue: 2018-11-14 259979_eng.xml