

## Features

- For 16 modules
- 24 V DC supply
- Supported signal types: DI/DO/AI/TI/AO
- Hazardous area: screw terminals, blue
- Safe area: screw terminals, black

## Function

The termination board has 16 plug-in slots for isolators. Any isolator can be inserted into any slot, enabling a mixture of I/O types on one termination board.

The termination board features fixed screw terminals for the field side connection and for the control side connection along with a HART cordset for interconnection to a separate HART Communication Board.

Information about missing supply voltage of the isolators is available for the system as volt-free contact at the redundant power supply terminals.

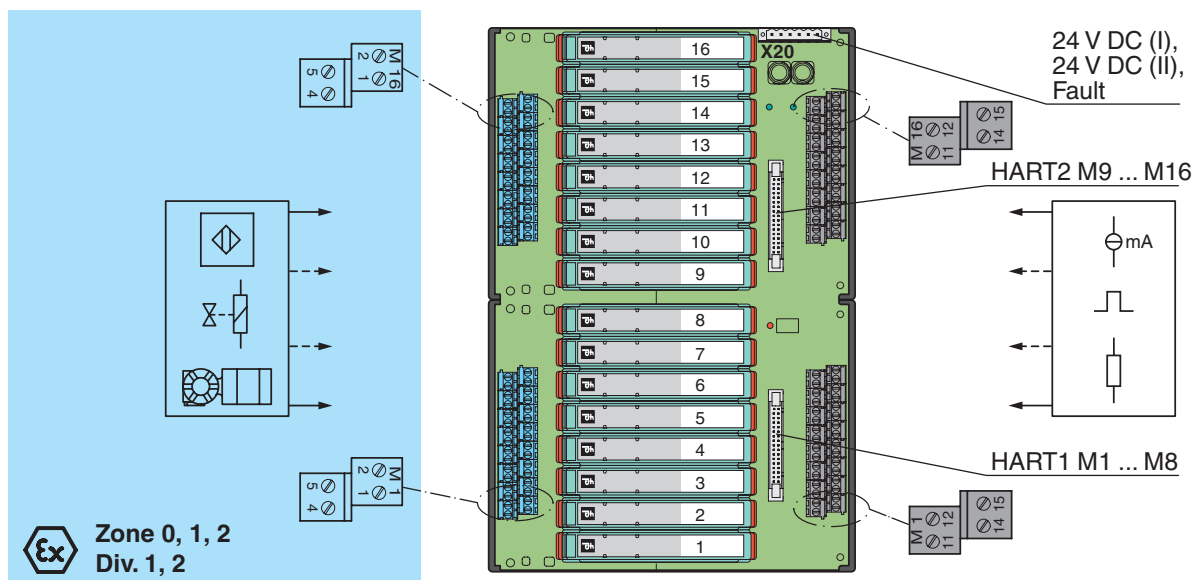
Wiring errors from field side will be reported via the same relay contact, if this function supported by the the isolators.

The termination board is supplied with a robust plastic housing as standard. This design permits the fast and reliable installation on 35 mm DIN mounting rail acc. to EN 60715 in the cabinet.

## Assembly



## Connection



Release date 2017-08-24 14:50 Date of issue 2017-08-24 260439\_eng.xml

Refer to "General Notes Relating to Pepperl+Fuchs Product Information".

Pepperl+Fuchs Group  
www.pepperl-fuchs.com

USA: +1 330 486 0002  
pa-info@us.pepperl-fuchs.com

Germany: +49 621 776 2222  
pa-info@de.pepperl-fuchs.com

Singapore: +65 6779 9091  
pa-info@sg.pepperl-fuchs.com

**PEPPERL+FUCHS**  
PROTECTING YOUR PROCESS

<b>Supply</b>	
Connection	X20: terminals 3, 5 (+); 4, 6 (-)
Nominal voltage	24 V DC , in consideration of rated voltage of used isolators
Voltage drop	0.9 V , voltage drop across the series diode on the termination board must be considered
Ripple	≤ 10 %
Fusing	4 A , in each case for 16 modules
Power dissipation	≤ 500 mW , without modules
Reverse polarity protection	yes
<b>Redundancy</b>	
Supply	Redundancy available. The supply for the isolators is decoupled, monitored and fused.
<b>Fault indication output</b>	
Connection	X20: terminals 1, 2
Output type	volt-free contact
Contact loading	30 V DC, 1 A
<b>Indicators/settings</b>	
Display elements	LED PWR1 (Termination Board power supply), green LED LED PWR2 (Termination Board power supply), green LED LED FAULT (fault indication), red LED - LED lits: module failure - LED flashes: power supply failure
<b>Directive conformity</b>	
Electromagnetic compatibility	
Directive 2014/30/EU	EN 61326-1:2013 (industrial locations)
<b>Conformity</b>	
Electromagnetic compatibility	NE 21:2012 For further information see system description.
Degree of protection	IEC 60529:2001
<b>Ambient conditions</b>	
Ambient temperature	-20 ... 60 °C (-4 ... 140 °F)
Storage temperature	-40 ... 70 °C (-40 ... 158 °F)
<b>Mechanical specifications</b>	
Degree of protection	IP20
Connection	
Field side	explosion hazardous area: 4 screw terminals per module , blue
Control side	non-explosion hazardous area: 4 screw terminals per module , black
Supply	pluggable screw terminals , black
Core cross-section	screw terminals: 0.25 ... 1.5 mm <sup>2</sup> (24 ... 12 AWG)
Material	housing: polycarbonate, 10 % glass fiber reinforced
Mass	approx. 980 g
Dimensions	300 x 200 x 163 mm (11.8 x 7.9 x 6.42 inch) , height including module assembly
Mounting	on 35 mm DIN mounting rail acc. to EN 60715:2001
<b>Data for application in connection with hazardous areas</b>	
EU-Type Examination Certificate	CESI 11 ATEX 062
Marking	⊕ II (1)G [Ex ia Ga] IIC ⊕ II (1)D [Ex ia Da] IIIC ⊕ I (M1) [Ex ia Ma] I
Safe area	
Maximum safe voltage	250 V (Attention! U <sub>m</sub> is no rated voltage.)
Galvanic isolation	
Field circuit/control circuit	safe electrical isolation acc. to IEC/EN 60079-11, voltage peak value 375 V
Directive conformity	
Directive 2014/34/EU	EN 60079-0:2012+A11:2013 , EN 60079-11:2012 , EN 50303:2000
<b>International approvals</b>	
CSA approval	
Control drawing	see control drawing of corresponding modules
IECEX approval	IECEX CES 11.0022
Approved for	[Ex ia Ga] IIC [Ex ia Da] IIIC [Ex ia Ma] I
<b>General information</b>	
Supplementary information	Observe the certificates, declarations of conformity, instruction manuals, and manuals where applicable. For information see <a href="http://www.pepperl-fuchs.com">www.pepperl-fuchs.com</a> .
<b>Accessories</b>	

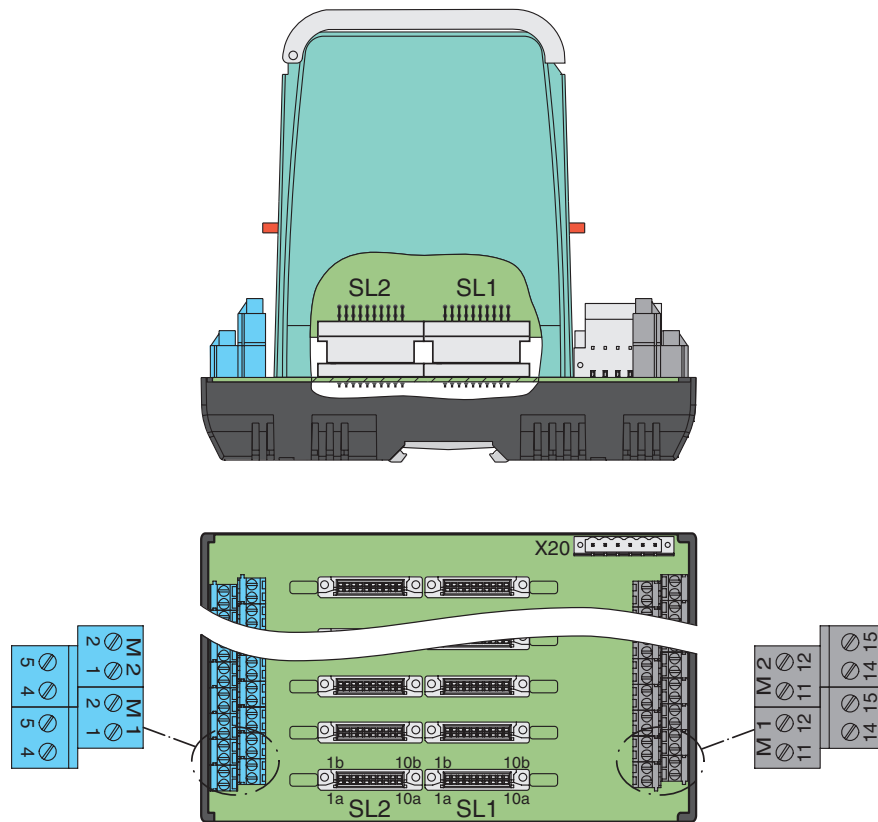
Release date 2017-08-24 14:50 Date of issue 2017-08-24 260439\_eng.xml

## Designation

## optional accessories:

- HART communication board for 1-channel modules: HiATB01-HART-4X8-Y1
  - HART communication board for 2-channel modules: HiATB01-HART-2X16
  - HART multiplexer master HiDMux2700
  - HART connection cable HiACA-UNI-FLK34-\*M\*
  - label carrier HiALC-Hi\*TB-SET-1\*\*
-

Application



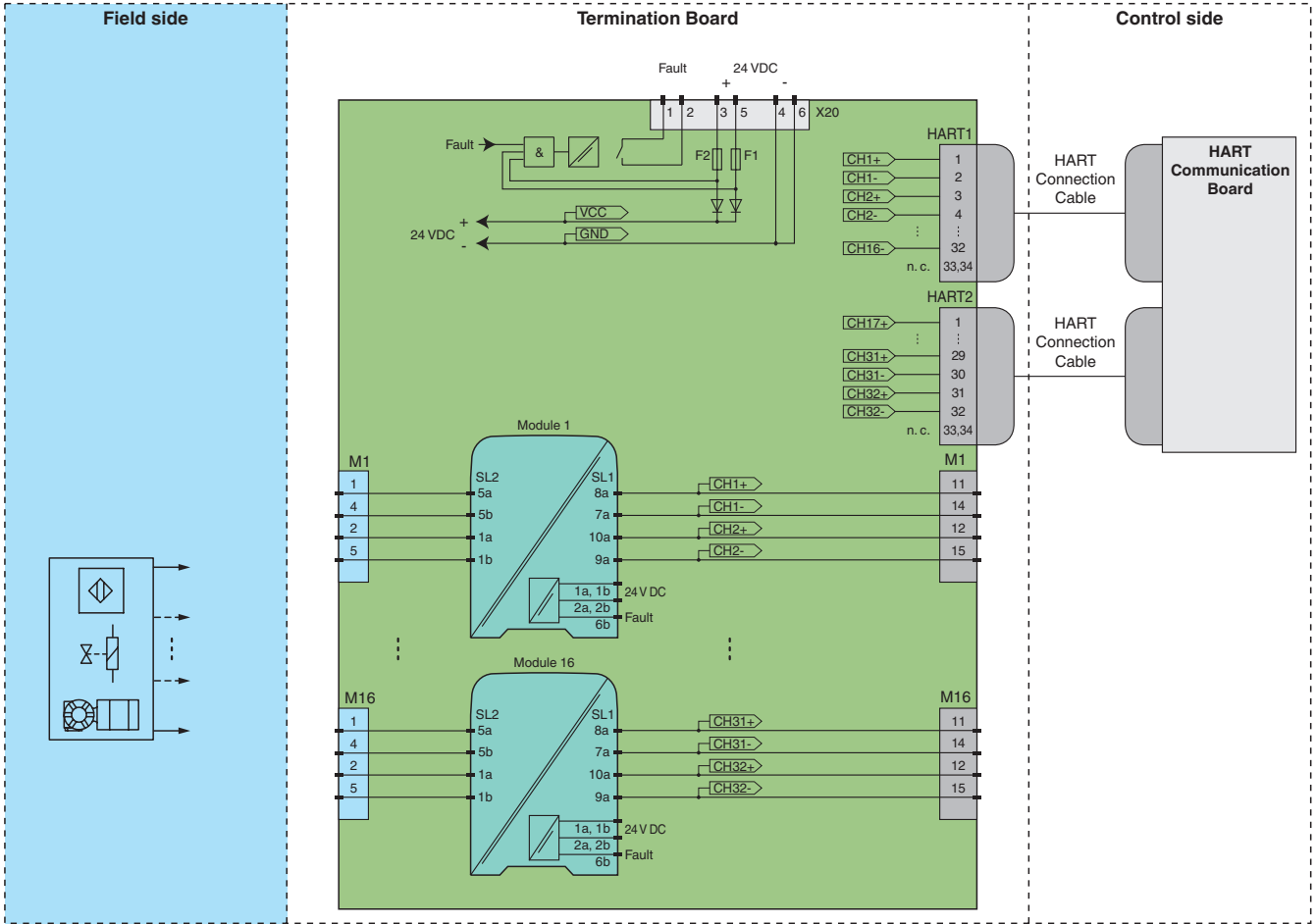
Insert the isolated barrier on the Termination Board. This closes the signal circuit between field side and control side. Connect field devices and controller to the terminals or connecting plugs of the Termination Board. For pin assignment between terminals, connecting plugs and connectors SL1/SL2, see drawing "Connection diagram" or the corresponding pin-out table on [www.pepperl-fuchs.com](http://www.pepperl-fuchs.com).



For exact pin assignment for fieldside and control side, see the documentation of the isolated barrier.

Application

Connection diagram



For exact pin assignment for connection to field side and control side, see the documentation of the isolated barrier.



The pin-out configuration has to be observed. For information see corresponding pin-out table on [www.pepperl-fuchs.com](http://www.pepperl-fuchs.com).