



Rod antenna for 2.4 GHz band

### Features

- Rod antenna
- For outdoor use

### Function

The rod antenna is suitable for a frequency range from 2.4 GHz to 2.5 GHz. The antenna gain is 6 dBi.

The antenna can be connected to the WirelessHART Gateway using preconfigured coaxial cables.

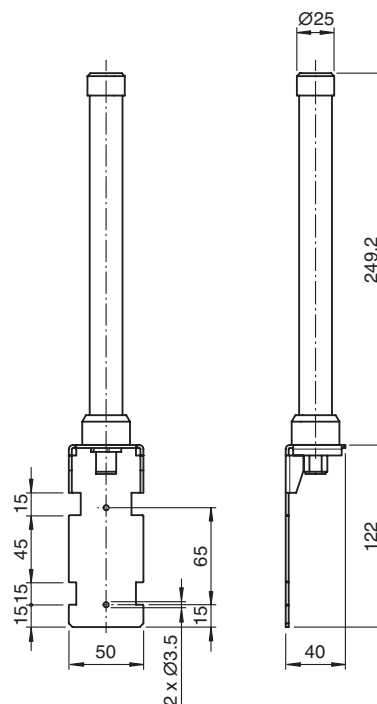
For installation examples, see the manual of the WirelessHART Gateway.

### Accessories

W-ACC-CA-NM-NM-\*

Coaxial cable, N plug to N plug

## Dimensions



## Technical data

### General specifications

Frequency range	2.4 ... 2.5 GHz
Antenna gain	6 dBi
Polarization	vertical
Impedance	50 Ω

### Nominal ratings

Beam angle (-3 dB)	360° horizontal, 30° vertical
--------------------	-------------------------------

### Ambient conditions

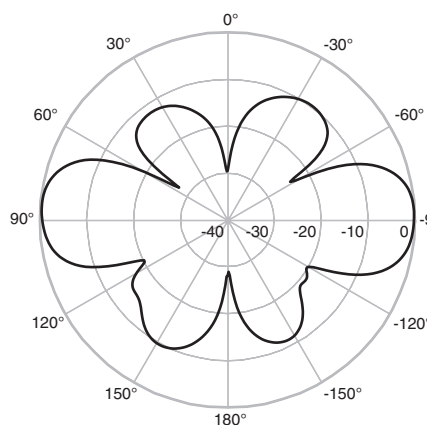
Operating temperature	-40 ... 80 °C (-40 ... 176 °F)
Storage temperature	-40 ... 80 °C (-40 ... 176 °F)

### Mechanical specifications

Connection type	N socket
Degree of protection	IP67
Material	fiberglass
Mass	300 g
Dimensions	Ø 22 mm x 250 mm

## Antenna Characteristics

vertical 2.4 GHz



horizontal 2.4 GHz

