



Panel antenna for 2.4 GHz band

### Features

- Panel antenna
- For outdoor use

### Function

The panel antenna is suitable for a frequency range from 2.4 GHz to 2.7 GHz. The antenna gain is 14 dBi.

The antenna can be connected to the WirelessHART Gateway using preconfigured coaxial cables.

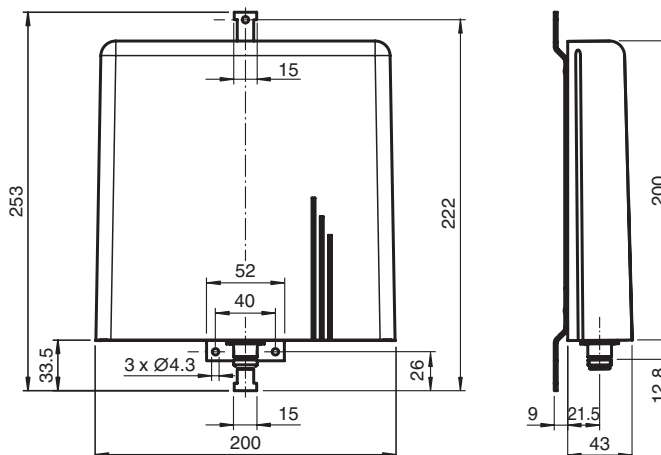
For installation examples, see the manual of the WirelessHART Gateway.

### Accessories

W-ACC-CA-NM-NM-\*

Coaxial cable, N plug to N plug

### Dimensions



### Technical data

#### General specifications

Frequency range	2.4 ... 2.7 GHz
Antenna gain	14 dBi
Polarization	vertical
Impedance	50 Ω

#### Nominal ratings

Beam angle (-3 dB)	35° horizontal, 30° vertical
--------------------	------------------------------

#### Ambient conditions

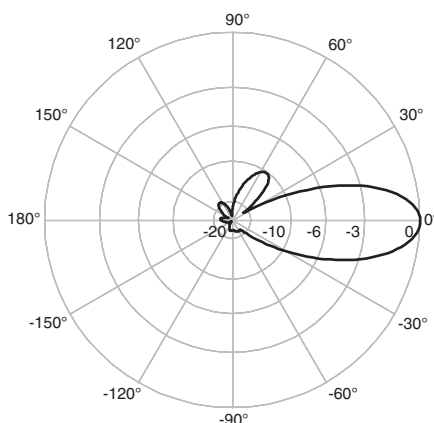
Operating temperature	-40 ... 80 °C (-40 ... 176 °F)
Storage temperature	-40 ... 80 °C (-40 ... 176 °F)

#### Mechanical specifications

Connection type	N socket
Degree of protection	IP23
Material	ASA
Mass	500 g
Dimensions	200 mm x 200 mm x 43 mm

### Antenna Characteristics

vertical 2.4 GHz



horizontal 2.4 GHz

