



Model Number

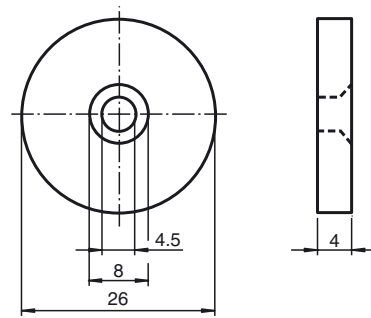
IPC02-26-T6 10pcs

Code carrier

Features

- Degree of protection IP68
- Battery-free high temperature code carrier
- 40 bit fix code
- Readable from both sides
- Mounting holes for simple installation
- Packaging unit: 10 pieces

Dimensions



Technical data

General specifications

Operating frequency	125 kHz
Transfer rate	2 kBit/s

Memory

Chip Type	EM4102 Unique (EM Microelectronic)
Read cycles	unlimited
Data retention period	> 10 years

Ambient conditions

Ambient temperature	-25 ... 85 °C (-13 ... 185 °F) 20 ... 160 °C (68 ... 320 °F) for 100 x 5 minutes with transposition every 30 seconds
Storage temperature	-25 ... 140 °C (-13 ... 284 °F) for 1000 hours 200 °C (473 K) for 5 x 35 minutes
Shock and impact resistance	Shock: 40 g, 18 ms in 6 spatial axes 2000 x in accordance with IEC 68-2-29 Vibration: 10 g, 10 ... 2000 Hz, 2.5 hours in 3 spatial axes in accordance with IEC 68-2-6

Mechanical specifications

Degree of protection	IP68 (24 hours in water 1 m deep)
Material	
Housing	PA
Installation	
In air	yes
Mass	3.6 g
Construction type	Cylindrical
Note	Packaging unit, 10-piece

Notes

The transponder can be read from either side.

Notes

High temperatures will cause the housing to expand.

If the housing is assembled under mechanical stress, the resulting pressure may damage the tag.

Install the tag loosely to allow for expansion due to high temperatures.