



Model Number

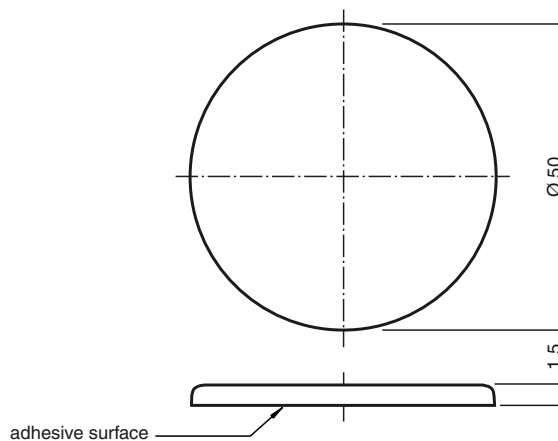
IPC11-50CD 10pcs

Data carrier

Features

- Battery-free data carrier
- 40 bit fixcode free programmable
- Readable from both sides
- Degree of protection IP67
- Self-adhesive mounting
- Packaging unit: 10 pieces

Dimensions



Technical data

General specifications

Operating frequency	125 kHz
Transfer rate	2 kBit/s

Memory

Chip Type	Q5 (Atmel)
EEPROM	40 Bit
Read cycles	unlimited

Directive conformity

Electromagnetic compatibility	
R&TTE Directive 1995/5/EC	EN 301489-1:2010 EN 301489-3:2003 EN 300220-2:2010

Standard conformity

Electromagnetic compatibility	EN 301489-1:2010 EN 301489-3:2003 EN 300220-2:2010
Degree of protection	EN 60529:2000

Ambient conditions

Ambient temperature	-25 ... 70 °C (-13 ... 158 °F)
Storage temperature	-40 ... 85 °C (-40 ... 185 °F)

Mechanical specifications

Degree of protection	IP67
Material	
Housing	ROYALPLAST, transparent, soft
Installation	
In air	yes
Construction type	Label
Note	Packaging unit, 10-piece

Notes

The transponder can be read and written from either side.