



Model Number

RSI58P-YYABER21N-01024

Features

- Industrial standard housing Ø58 mm
- Recessed hollow shaft
- 10 V ... 30 V with short-circuit proof push-pull output

Description

This incremental rotary encoder is available in recessed hollow shaft design with a shaft 12 mm in diameter x 20 mm. The rotary encoder is held in place by an included torque rest.

The electrical connection is made by a 8-pin or a 12-pin round plug connector.

Technical data

General specifications

Detection type	photoelectric sampling
Pulse count	1024

Functional safety related parameters

MTTF _d	140 a
Mission Time (T _M)	20 a
L _{10h}	70 E+9 at 6000 rpm
Diagnostic Coverage (DC)	0 %

Electrical specifications

Operating voltage U _B	10 ... 30 V DC
No-load supply current I ₀	max. 60 mA

Output

Output type	push-pull, incremental
Voltage drop U _d	< 3 V
Load current	max. per channel 40 mA, short-circuit protected (not with U _b), reverse polarity protected
Output frequency	max. 200 kHz
Rise time	400 ns

Connection

Connector	M12 connector, 8-pin
-----------	----------------------

Standard conformity

Degree of protection	DIN EN 60529, IP65
Climatic testing	DIN EN 60068-2-3, no moisture condensation
Emitted interference	EN 61000-6-4:2007/A1:2011
Noise immunity	EN 61000-6-2:2005
Shock resistance	DIN EN 60068-2-27, 100 g, 3 ms
Vibration resistance	DIN EN 60068-2-6, 10 g, 10 ... 2000 Hz

Ambient conditions

Operating temperature	
Plastic disk	-5 ... 60 °C (23 ... 140 °F), movable cable -20 ... 60 °C (-4 ... 140 °F), fixed cable
Storage temperature	
Plastic disk	-40 ... 70 °C (-40 ... 158 °F)

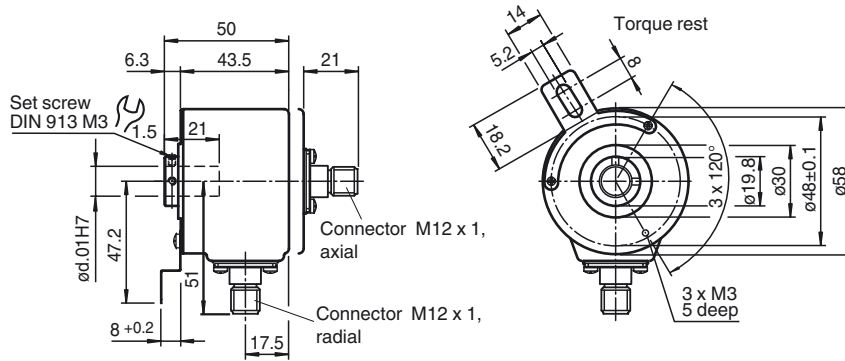
Mechanical specifications

Material	
Housing	powder coated aluminum
Flange	3.1645 aluminum
Shaft	Stainless steel 1.4305 / AISI 303
Mass	approx. 280 g
Rotational speed	max. 12000 min ⁻¹
Moment of inertia	≤ 35 gcm ²
Starting torque	≤ 1 Ncm
Shaft load	
Angle offset	1 °
Axial offset	max. 1 mm

Approvals and certificates

UL approval	cULus Listed, General Purpose, Class 2 Power Source
-------------	---

Dimensions

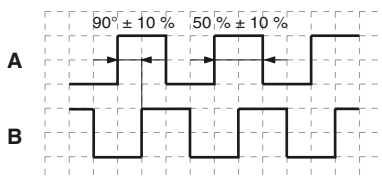


Recessed hollow shaft

Electrical connection

Signal	Connector M12 x 1
GND	1
U _b	2
A	3
B	5
NC	4
NC	6
NC	7
NC	8

Signal outputs

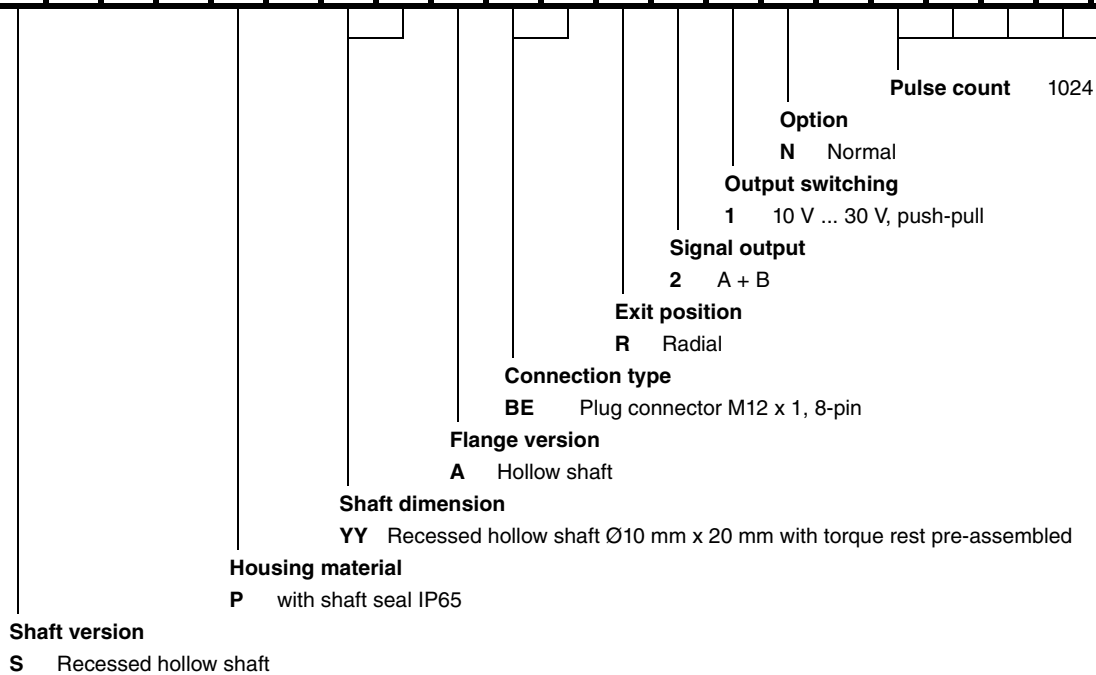


↻ cw - with view onto the shaft clamping ring

Release date: 2016-05-30 11:42 Date of issue: 2016-05-30 263985_eng.xml

Order code

R S I 5 8 P - Y Y A B E R 2 1 N - 0 1 0 2 4



Release date: 2016-05-30 11:42 Date of issue: 2016-05-30 263985_eng.xml