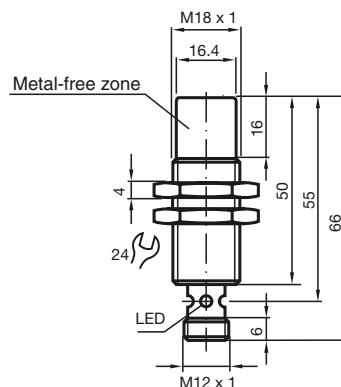
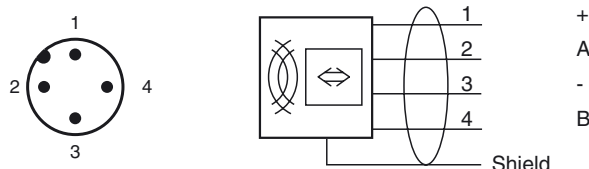


**Model Number****IQT1-18GM-R4-V1**

HF R/W system, ISO 15693

Features

- Operating frequency 13.56 MHz
- Conforms to ISO 15693
- Suitable for FRAM transponder
- Read/write head with thread M18 x 1
- Connection via V1 (M12 x 1) plug connection
- Multihole-LED for function display
- Degree of protection IP67
- Connection via integrated RS-485 interface

Dimensions**Electrical connection****Technical data****General specifications**

Operating frequency	13.56 MHz
Transfer rate	26 kBit/s
Sensing range	
Read distance	0 ... 50 mm
Write distance	0 ... 50 mm
Width	max. 45 mm
UL File Number	E87056

Indicators/operating means

LED green/yellow	Multihole-LED: green: power on green flashing: read/write attempt performed yellow: data carrier detected
------------------	--

Electrical specifications

Rated operating voltage	U_e	10 ... 30 V DC , ripple 10 % _{SS} , limited power source (EN 60950)
Power consumption	P_0	≤ 1.2 W

Interface

Physical	RS-485 point-to-point connection
Protocol	ASCII
Transfer rate	1200, 2400, 4800, 9600, 19200, 38400 (default) Bit/s
Cable length	≤ 3 m

Ambient conditions

Ambient temperature	-25 ... 70 °C (-13 ... 158 °F)
Storage temperature	-40 ... 85 °C (-40 ... 185 °F)

Mechanical specifications

Degree of protection	IP67
Connection	M12 x 1 connector
Material	
Housing	PBT/stainless steel
Encapsulation compound	CY 221/HY 2966
Installation	
Distance between two heads	≥ 80 mm
Mass	approx. 40 g

Compliance with standards and directives

Directive conformity	
R&TTE Directive 1995/5/EC	EN 301489-1 V1.8.1 (2008-04), EN 301489-3 V1.4.1 (2002-08), EN 300330-2 V1.3.1 (2006-04), EN 60950-1:2006

Standard conformity

Electromagnetic compatibility	EN 61000-6-2, EN 61000-6-4
Degree of protection	EN 60529:2000
RFID	ISO/IEC 15693-2:2006 , ISO/IEC 15693-3:2009 , ISO/IEC 18000-3

Notes

Power supply:

The device must only be operated with a current source of limited power according to EN 60950.

Preferences:

Interface transfer rate: 38400 bps

Port settings: 8 data bits, no parity, 1 stop bit, no handshake

Transpondertype: 20

Accessories

IQC21-8 10pcs

Data carrier

IQC21-10 10pcs

Data carrier

IQC21-12.4 10pcs

Data carrier

IQC21-16 50pcs

Data carrier

IQC21-30P

Data carrier

IQC21-50P

Data carrier

IQC21-58

Data carrier

IQC21-C1

Data carrier

IQC21-F125 10pcs

Data carrier

IQC22-22-T9

Data carrier

IQC22-22CT-T9

Data carrier

IQC22-C1

Data carrier

IQC22-C4

Data carrier

IQC24-27-T12

Data carrier

IQC31-22-T9

Data carrier

IQC33-10 10pcs

Data carrier

IQC33-20

Data carrier

IQC33-30

Data carrier

IQC33-50

Data carrier

IQC21-50PVC

Data carrier

IQC21-F125

Data carrier

IQC33-20CT

Data carrier