



### Model Number

**KCD2-E3**

Sensor output interface terminal

### Features

- 1-channel terminal amplifier
- NAMUR sensor input
- DC 24 V supply voltage
- Standard interface for prevention of signal transmission errors
- Switching status indicator, yellow LED
- Short-circuit proof electronic output
- Low noise sensitivity
- Compact terminal housing
- Clips onto standard 35 mm rail to DIN EN 50 022
- Degree of protection IP20

### Technical data

#### Functional safety related parameters

MTTF<sub>d</sub> 916 a

#### Indicators/operating means

LED yellow switch output

#### Electrical specifications

Operating voltage  $U_B$  10 ... 30 V DC

Ripple  $\leq 10$  %

Operating current  $I_B$  approx. 22 mA

#### Input

Connection terminals 1+, 2-

Connectable sensor types NAMUR

Pulse length/pulse interval  $\geq 0.5$  ms /  $\geq 0.5$  ms

Short-circuit current approx. 8 mA

Sensor supply 8 V DC

Switching point 1.2 ... 2.1 mA hysteresis approx. 0.2 mA

Line fault detection without

Trip value 1 kHz

#### Output

Connection terminal 4+

Current 200 mA short-circuit protected

Transistor PNP

Signal level  $U_B - 1.1V$

#### Transfer characteristics

Mode of operation NC contact

Switching frequency 1 kHz

#### Directive conformity

Electromagnetic compatibility

Directive 2014/30/EU EN 61326-1:2013

#### Standard conformity

Degree of protection EN 60529:2000

Noise immunity EN 61326-1:2013

#### Ambient conditions

Ambient temperature -25 ... 70 °C (-13 ... 158 °F)

Storage temperature -25 ... 85 °C (-13 ... 185 °F)

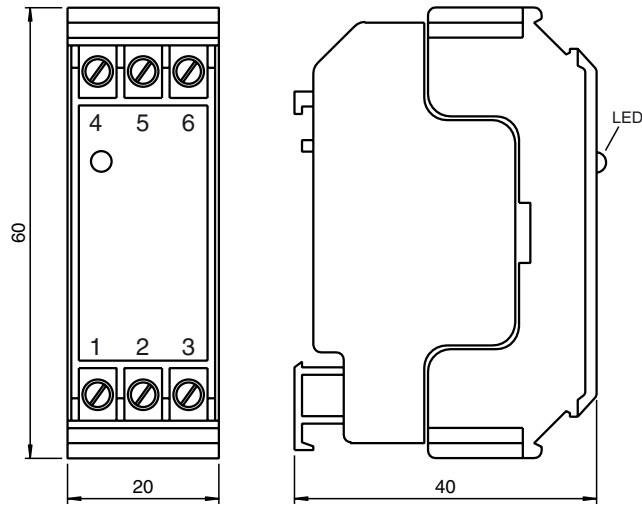
#### Mechanical specifications

Connection self-opening apparatus connection terminals, max. core cross-section 0.34 ... 2.5 mm<sup>2</sup>

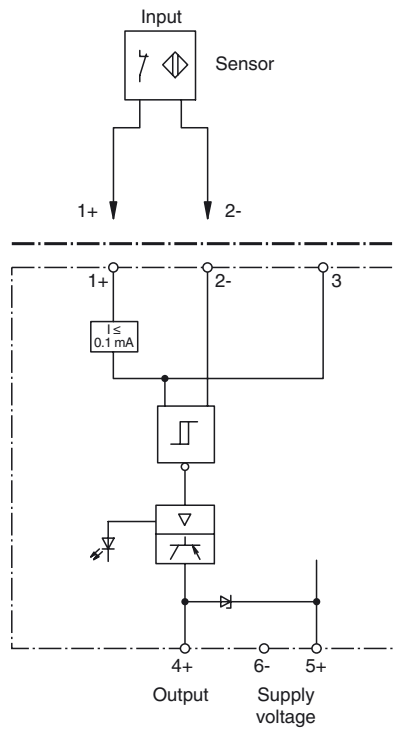
Mass 60 g

Dimensions 20x60x40 (in mm)

Dimensions



Electrical connection



Release date: 2016-09-26 10:48 Date of issue: 2016-09-26 268567\_eng.xml