

### Model Number

**KCD2-E1**

Sensor output interface terminal

### Features

- 1-channel terminal amplifier
- NAMUR sensor input
- DC 24 V supply voltage
- Standard interface for prevention of signal transmission errors
- Switching status indicator, yellow LED
- Short-circuit proof electronic output
- Low noise sensitivity
- Compact terminal housing
- Clips onto standard 35 mm rail to DIN EN 50 022
- Degree of protection IP20

### Technical data

#### Functional safety related parameters

MTTF<sub>d</sub> 1612 a

#### Indicators/operating means

LED yellow switch output

#### Electrical specifications

Operating voltage  $U_B$  10 ... 30 V DC

Ripple  $\leq 10\%$

Operating current  $I_B$  approx. 22 mA

#### Input

Connection terminals 1+, 2-

Connectable sensor types NAMUR

Pulse length/pulse interval  $\geq 0.5\text{ ms} / \geq 0.5\text{ ms}$

Short-circuit current approx. 8 mA

Sensor supply 8 V DC

Switching point 1.2 ... 2.1 mA hysteresis approx. 0.2 mA

Line fault detection without

Trip value 1 kHz

#### Output

Connection terminal 4-

Current 200 mA short-circuit protected

Transistor NPN

Signal level  $U_B - 1.8V$

#### Transfer characteristics

Mode of operation NC contact

Switching frequency 1 kHz

#### Directive conformity

Electromagnetic compatibility

Directive 2014/30/EU EN 61326-1:2013

#### Standard conformity

Degree of protection EN 60529:2000

Noise immunity EN 61326-1:2013

#### Ambient conditions

Ambient temperature  $-25 \dots 70\text{ }^\circ\text{C}$  ( $-13 \dots 158\text{ }^\circ\text{F}$ )

Storage temperature  $-25 \dots 85\text{ }^\circ\text{C}$  ( $-13 \dots 185\text{ }^\circ\text{F}$ )

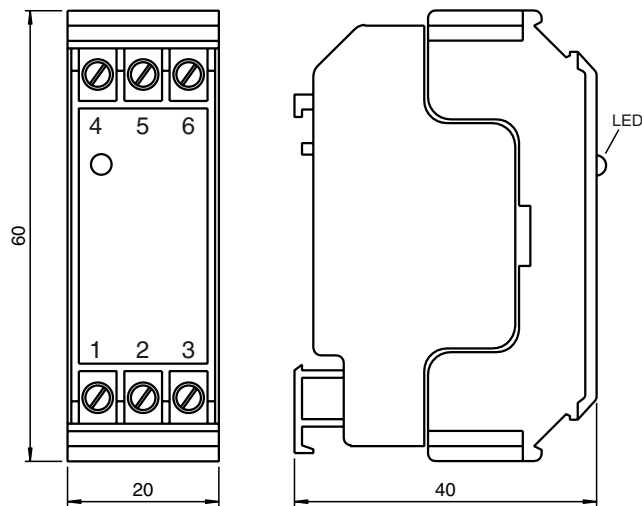
#### Mechanical specifications

Connection self-opening apparatus connection terminals, max. core cross-section  $0.34 \dots 2.5\text{ mm}^2$

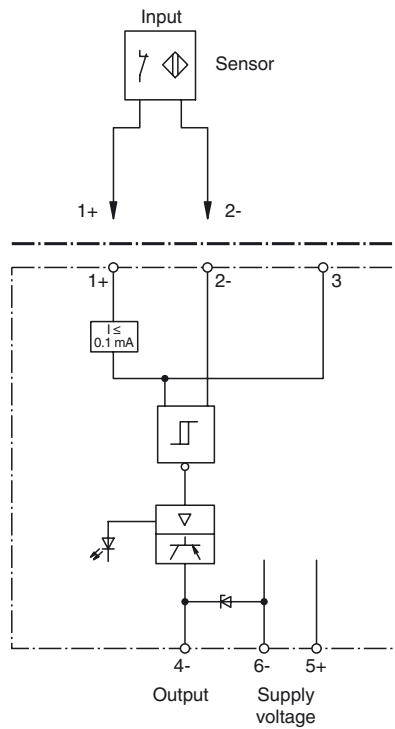
Mass 60 g

Dimensions  $20 \times 60 \times 40$  (in mm)

Dimensions



Electrical connection



Release date: 2016-09-26 10:48 Date of issue: 2016-09-26 269795\_eng.xml