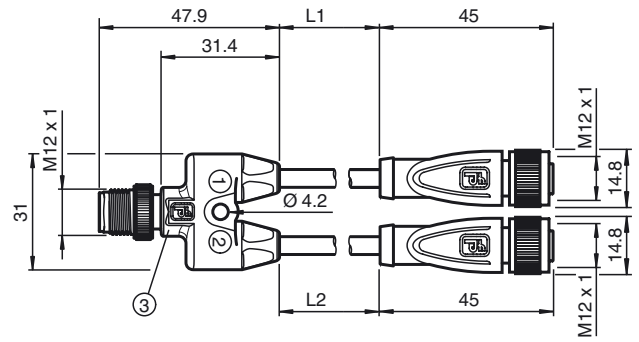




Dimensions



Model Number

V1-G-2,5M-PUR-TV1-G

Y-splitter cordset, M12 to 2 x M12, 3-pin, PUR cable

Features

- Simple assembling of 2 signals to one M12 plug-in station
- Pins 2 and 4 bridged
- Flame resistant cable
- Resistant to microbes and hydrolysis
- Halogen-free
- Does not give off silicone

Technical data

General specifications

Number of pins	3
Connection 1	socket
Construction type 1	straight
Threading 1	M12
Connection 2	socket
Construction type 2	straight
Threading 2	M12
Connection 3	Male connector
Construction type 3	straight
Threading 3	M12

Electrical specifications

Operating voltage	U _B	max. 250 V AC/DC
Operating current	I _B	max. 4 A
Volume resistance		< 5 mΩ

Ambient conditions

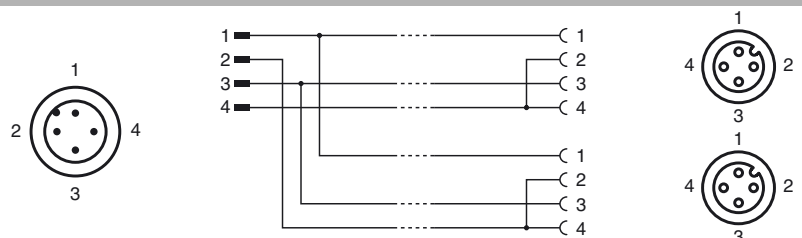
Ambient temperature	Body: -25 ... 90 °C (-13 ... 194 °F) cable, fixed: -40 ... 80 °C (-40 ... 176 °F) cable, flexing: -30 ... 80 °C (-22 ... 176 °F)
---------------------	--

Mechanical specifications

Contact elements	spring-loaded contact socket
Pin diameter	1 mm
Degree of protection	IP67
Connection	1 x M12 connector, straight 2 x M12 straight sockets
Cable code	Li 9Y 11YM 3 x 0.34
Material	
Contacts	CuSn / Au
Contact surface	Au
Body	TPU, black
Cable	PUR
Slotted nut	Diecast zinc
Sleeve connector	Diecast zinc
Seal	NBR
Core insulation	PP
Cable	fine-strand, flexible
Sheath diameter	Ø 4.8 mm
Bending radius	> 10 x cable diameter, moving
Color	grey
Cores	3 x 0.34 mm ²
Conductor construction	19 x 0.15 mm Ø
Length	L L1 = 2.5 mm, L2 = 2.5 mm

Compliance with standards and directives

Electrical connection



Release date: 2015-06-24 12:04 Date of issue: 2019-01-23 280530_eng.xml

Refer to "General Notes Relating to Pepperl+Fuchs Product Information".



Standard conformity	
Degree of protection	EN 60529:2000
Standards	IEC 61076-2-101:2008

Release date: 2015-06-24 12:04 Date of issue: 2019-01-23 280530_eng.xml