



Model Number

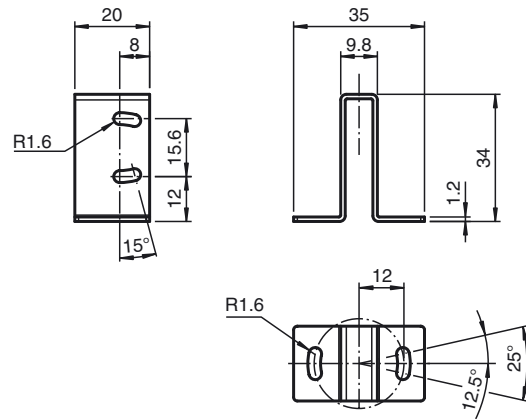
MH-R3-01

Mounting aid for sensors from the R3 series, mounting bracket

Features

- Mounting bracket with protective shroud
- For top mounting
- Simple and fast mounting

Dimensions



Technical data

Mechanical specifications

Material	Stainless steel
Mass	approx. 15 g
Mounting	Fixing screws , 2 x M3 allen head screws included with delivery

General information

Scope of delivery	Mounting bracket , Fixing screws , SW2.5 Allen wrench
-------------------	---

Suitable series

Series	OB*-R3
--------	--------