



### Model Number

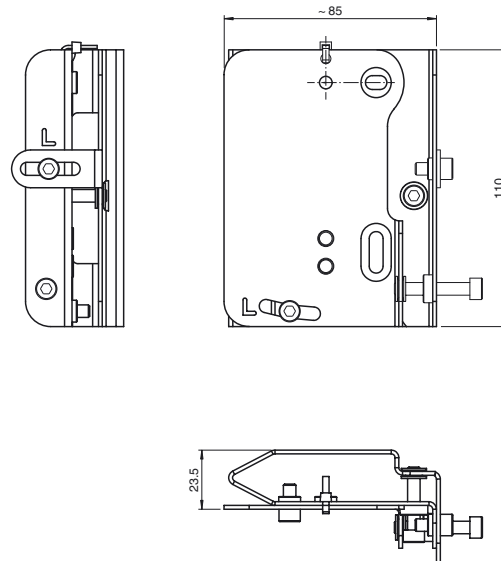
**OMH-VDM28-02**

Mounting and fine adjustment device for sensors from the 28 series

### Features

- Simple and fast mounting

## Dimensions



## Technical data

### Mechanical specifications

Material	galvanized steel black
Mass	approx. 320 g
Mounting	sensor Mounting accessories included

### Suitable series

Series	VDM28 , Series 28/29 , R300
--------	-----------------------------