



**Model number**

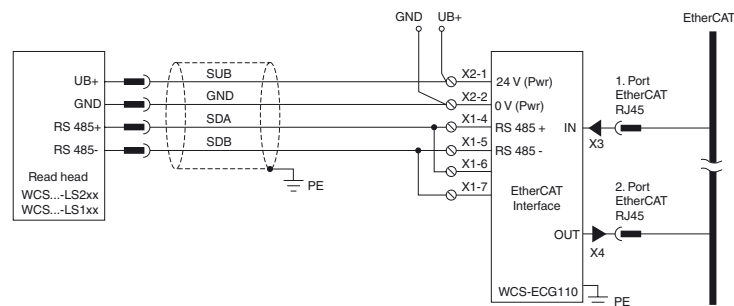
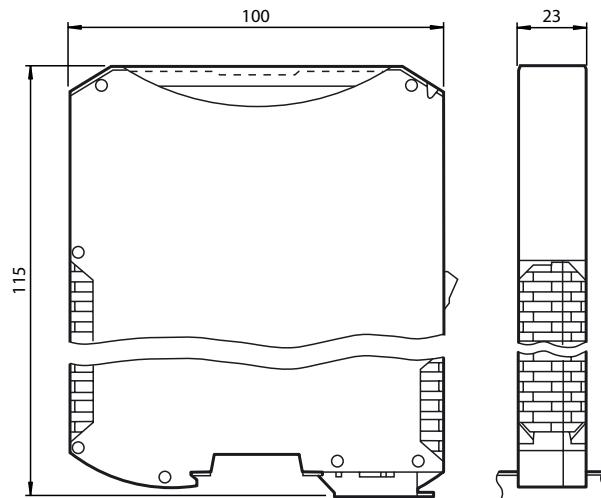
**WCS-ECG110**

WCS interface module with EtherCAT interface

**Features**

- Up to 4 read heads can be connected
- DIN rail mounting
- Integrated switch
- EtherCAT interface

**Dimensions**



**Technical data**

**General specifications**

Installation	DIN rail mounting
--------------	-------------------

**Functional safety related parameters**

MTTF <sub>d</sub>	180 a
Mission Time (T <sub>M</sub> )	10 a
Diagnostic Coverage (DC)	0 %

**Electrical specifications**

Operating voltage	U <sub>B</sub>	10 ... 30 V DC
Power consumption	P <sub>0</sub>	≤ 3.6 W (without read heads)

**Interface 1**

Connection of	control system
Interface type	Ethernet; 100 BASE-TX
Protocol	EtherCAT
Transfer rate	100 MBit/s
Data output format	binary code

**Interface 2**

Connection of	control system
Interface type	Ethernet; 100 BASE-TX
Protocol	EtherCAT
Transfer rate	100 MBit/s
Data output format	binary code

**Interface 3**

Connection of	Read head
Connectable read heads	WCS...-LS121 , WCS...-LS221
Interface type	RS-485
Protocol	half duplex
Transfer rate	62.5 kBit/s

Release date: 2019-02-12 12:48 Date of issue: 2019-02-12 283340\_eng.xml

Refer to "General Notes Relating to Pepperl+Fuchs Product Information".

Pepperl+Fuchs Group  
www.pepperl-fuchs.com

USA: +1 330 486 0001  
fa-info@us.pepperl-fuchs.com

Germany: +49 621 776 4411  
fa-info@de.pepperl-fuchs.com

Singapore: +65 6779 9091  
fa-info@sg.pepperl-fuchs.com

RS485 termination resistor	switchable
Refresh cycle of read head	1 ms
<b>Standard conformity</b>	
Emitted interference	EN 55011, cl. A: 2007
Noise immunity	EN 61000-6-2:2005
<b>Ambient conditions</b>	
Operating temperature	-25 ... 85 °C (-13 ... 185 °F) , no moisture condensation
Storage temperature	-40 ... 85 °C (-40 ... 185 °F)
Relative humidity	≤ 80 %
<b>Mechanical specifications</b>	
Connection type	Interface 1 & 2: RJ-45 socket, 8-pin Interface 3: terminal connection ≤ 2.5 mm <sup>2</sup> Interface 4: Terminal connection, 2-pin
Housing width	23 mm
Housing height	100 mm (without plug-in screw connector) 111 mm (incl. plug-in screw connector)
Housing depth	115 mm
Degree of protection	IP20
Material	plastic
Installation position	any position
Mass	approx. 130 g