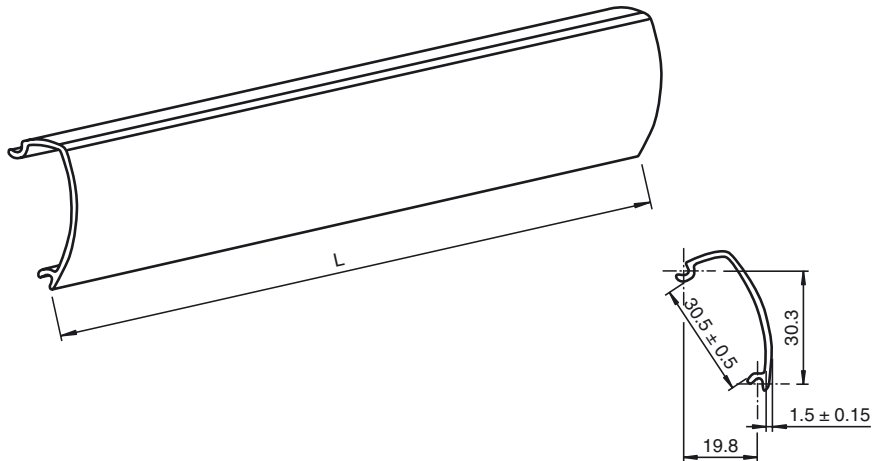




**Dimensions**



**Model Number**

**DoorScan Cover L1600**

Housing cover DoorScan

**Features**

- Profile cover for aluminum profile for DoorScan Series
- Length 1600 mm
- for DoorScan design with great profil length

**Technical data**

**Ambient conditions**

Ambient temperature -30 ... 60 °C (-22 ... 140 °F)

**Mechanical specifications**

Housing length L 1600 mm

Material PMMA

**Suitable series**

Series DoorScan®

Release date: 2016-01-05 09:05 Date of issue: 2016-07-07 289594\_eng.xml

**Accessories****DoorScan Weather Cap L1200**

All-weather hood for DoorScan® and TopScan series sensing strips

**DoorScan Transfer Loop**

Door transition cable to door controller for DoorScan® sensor, including cable sheathing and strain relief

**DoorScan Connection Cable 5p**

Connecting cable with 5 plug-in connections for DoorScan®-I/-T/-R modules

**DoorScan Cable BS/BGS**

Connecting cable for transition from hinge side to leading edge side

**DoorScan-R**

Replacement/extension sensor module for installation in the DoorScan® and TopScan sensor profile, receiver module

**DoorScan-T**

Replacement/extension sensor module for installation in the DoorScan® and TopScan sensor profile, emitter module

**DoorScan-I**

Replacement/extension sensor module for installation in the DoorScan® and TopScan sensor profile, multifunction interface module

**DoorScan End Caps**

End cap set for DoorScan® sensor profile

**DoorScan Relay Module**

Replacement/extension sensor module for installation in the DoorScan® and TopScan sensor profile, multifunction interface module

**DoorScan Adapter**

Adapter module for installation in the DoorScan® and TopScan sensor profile, multifunction interface module

**TopScan-S Profile L1400**

Housing profile TopScan-S