



### Model Number

**IQT1-HH27**

Handheld (13.56 MHz)

### Features

- Suitable for all IQC read/write tags in accordance with ISO 15693
- Robust design, suitable for indoor and outdoor use
- Simple handling via large touch display and keyboard
- Keypad for entry of alphanumeric characters
- Wide variety of helpful functions already available in the standard software
- Can be directly connected to the control panel or computer
- Option to create application-specific software

### Matching system components

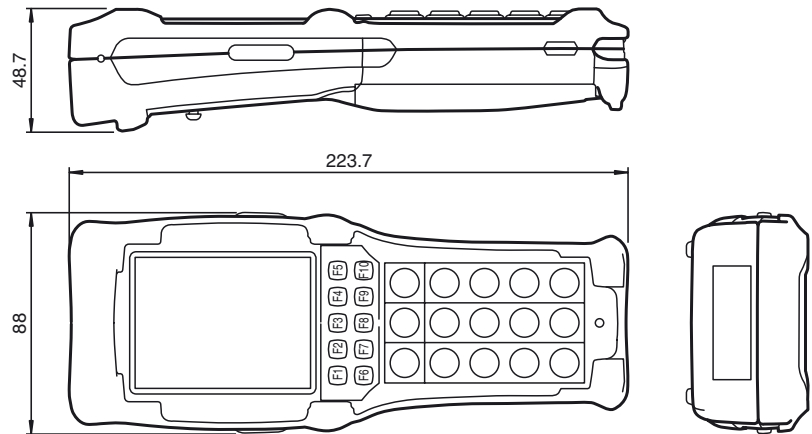
#### IQZ-HH27-CHARGER1

Docking station for IQT1-HH27 and IPT-HH27

#### IQZ-HH27-BAT

Lithium-polymer battery for IQT1-HH27 and IPT-HH27

## Dimensions



## Technical data

### General specifications

Description	Handheld with integrated HF read/write device, touch screen, WLAN, Bluetooth, Windows Embedded CE 6.0
Operating frequency	13.56 MHz

### Nominal ratings

Processor	Marvell PXA 166 XScale Processor
Clock pulse frequency	800 MHz
Memory	512 MB Flash ROM 256 MB RAM Micro SD card, 1 GB

### Indicators/operating means

Display	TFT color display with LED backlight, 3.5" Resolution 240 x 320 pixels
Keyboard	Keypad for entering alphanumeric characters
LED green	Device on
Key	Programmable function keys

### Electrical specifications

Battery type	Lithium polymer battery: 7.4 V; 2200 mAh
Supply	Via docking station or from inserted Li polymer battery

### Interface

Interface type	Physical: USB connection and Ethernet connection via charger (accessories) Radio connection: WLAN IEEE 802.11 a/b/g, Bluetooth 2.0 + EDR
----------------	---

### Directive conformity

Radio and telecommunication terminal equipment	
Directive 2014/53/EU	EN 301489-1:2011 V1.9.2, EN 301489-3:2013 V1.6.1, EN 300330-2:2015 V1.6.1, EN 60950-1:2006

### Standard conformity

Electromagnetic compatibility	EN 61000-6-2:2005, EN 61000-6-4:2006
Degree of protection	EN 60529
RFID	ISO/IEC 15693-2:2006, ISO/IEC 15693-3:2009, ISO/IEC 18000-3:2010

### Ambient conditions

Ambient temperature	0 ... 45 °C (32 ... 113 °F)
Storage temperature	-20 ... 70 °C (-4 ... 158 °F)

### Mechanical specifications

Degree of protection	IP43
Material	
Housing	Plastic ABS
Mass	approx. 520 g
Dimensions	224 mm x 88 mm x 49 mm
Note	Li polymer battery included in scope of delivery Docking station and charger not included in scope of delivery

### Approvals and certificates

CE conformity	CE
---------------	----