

### Features

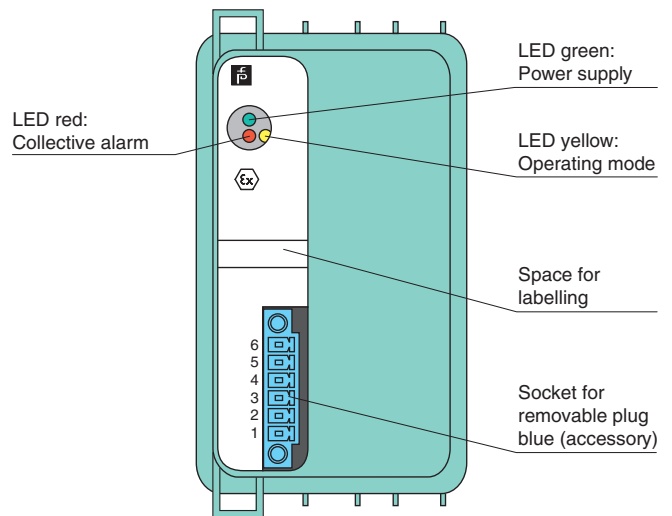
- Interface between the I/O modules and the PCS/PLC
- Com unit for 80 analog or 184 digital channels
- Communication via PROFIBUS DP
- Installation in suitable enclosures in Zone 1
- Module can be exchanged under voltage (hot swap)
- HART communication via PROFIBUS DP V1 or service bus
- Configuration via GSD parameters from the control system
- Non-volatile memory for configuration and parameter settings
- Self configuration in redundant systems
- Permanently self-monitoring
- Outputs drive to safe state in case of failures

### Function

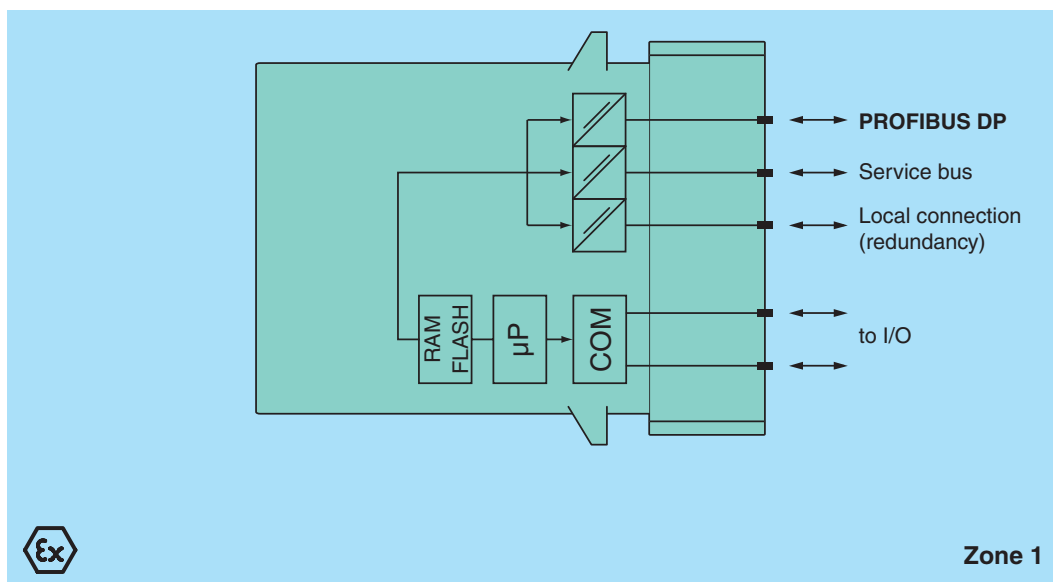
The PROFIBUS com unit forms the interface between the I/O modules on the backplane and the process control system. It supports all single width and dual width I/O modules. Thereby signals from NAMUR sensors, mechanical contacts, high-power solenoid drivers, power relays, sounders, and alarm LEDs are transported to the higher-level bus system. The com unit can be easily configured via DTM and supports redundancy as well as HART.

### Assembly

Front view



### Connection



Release date 2018-09-14 10:22 Date of issue 2018-09-14 284166\_eng.xml

Refer to "General Notes Relating to Pepperl+Fuchs Product Information".

<b>Supply</b>	
Connection	backplane bus
Rated voltage $U_r$	5 V DC , only in connection with the power supplies FB92**
Power dissipation	1.8 W
Power consumption	1.8 W
<b>Fieldbus interface</b>	
Fieldbus type	PROFIBUS DP/DP-V1
<b>PROFIBUS DP</b>	
Connection	wired to Ex e terminals via backplane
Baud rate	up to 1.5 MBit/s
Protocol	PROFIBUS DP/DP V1 read/write services
Number of stations per bus line	≤ 125 (PROFIBUS), ≤ 119 (service bus)
Cyclic process data	240 bytes input and (simultaneously) 240 bytes output
Number of stations per bus segment	≤ 31 (RS-485 standard)
Number of repeaters between Master and Slave	max. 3
Supported I/O modules	all FB remote I/O modules
Bus length	≤ 1000 m (FOL, 1.5 Mbaud), ≤ 1000 m (copper cable, 187.5 kBd), ≤ 200 m (copper cable, 1.5 MBd)
Addressing	via configuration software
PROFIBUS address	0 ... 126 (factory standard setting: 126)
GSE file	CGV61711.gsd/gse
HART communication	via PROFIBUS or service bus
<b>Internal bus</b>	
Connection	backplane bus
Redundancy	via front connector
<b>Indicators/settings</b>	
LED indication	LED green (power supply): On = operating, fast flash = cold start LED red (collective alarm): On = internal fault, flashing = no PROFIBUS connection LED yellow (operating mode): flashing 1 (1:1 ratio) = active, normal operation; flashing 2 (7:1 ratio) = active, simulation
<b>Directive conformity</b>	
Electromagnetic compatibility	
Directive 2014/30/EU	EN 61326-1
<b>Conformity</b>	
Electromagnetic compatibility	NE 21
Degree of protection	IEC 60529
Fieldbus standard	IEC 61158-2
Environmental test	EN 60068-2-14
Shock resistance	EN 60068-2-27
Vibration resistance	EN 60068-2-6
Damaging gas	EN 60068-2-42
Relative humidity	EN 60068-2-56
<b>Ambient conditions</b>	
Ambient temperature	-20 ... 60 °C (-4 ... 140 °F)
Storage temperature	-25 ... 85 °C (-13 ... 185 °F)
Relative humidity	95 % non-condensing
Shock resistance	shock type I, shock duration 11 ms, shock amplitude 15 g, number of shocks 18
Vibration resistance	frequency range 10 ... 150 Hz; transition frequency: 57.56 Hz, amplitude/acceleration ± 0.075 mm/1 g; 10 cycles frequency range 5 ... 100 Hz; transition frequency: 13.2 Hz amplitude/acceleration ± 1 mm/0.7 g; 90 minutes at each resonance
Damaging gas	designed for operation in environmental conditions acc. to ISA-S71.04-1985, severity level G3
<b>Mechanical specifications</b>	
Degree of protection	IP20 (module) , a separate housing is required acc. to the system description
Connection	via backplane
Mass	approx. 750 g
Dimensions	57 x 107 x 132 mm (2.2 x 4.2 x 5.2 inch)
<b>Data for application in connection with hazardous areas</b>	
EU-Type Examination Certificate	PTB 97 ATEX 1074 U
Marking	⊕ II 2(1) G Ex d [ia Ga] IIC Gb
Directive conformity	

Release date 2018-09-14 10:22 Date of issue 2018-09-14 284166\_eng.xml

Refer to "General Notes Relating to Pepperl+Fuchs Product Information".

Directive 2014/34/EU	EN 60079-0:2009 EN 60079-1:2007 EN 60079-11:2007 EN 60079-26:2007 EN 61241-11:2006
<b>International approvals</b>	
EAC approval	Russia: RU C-IT.MIII06.B.00129
Marine approval	
Lloyd Register	15/20021
DNV GL Marine	TAA0000034
American Bureau of Shipping	T1450280/UN
Bureau Veritas Marine	22449/B0 BV
<b>General information</b>	
System information	The module has to be mounted in appropriate backplanes (FB92**) in Zone 1, 2, or outside hazardous areas. Observe the corresponding EC-type examination certificate.
Supplementary information	EC-Type Examination Certificate, Statement of Conformity, Declaration of Conformity, Attestation of Conformity and instructions have to be observed where applicable. For information see <a href="http://www.pepperl-fuchs.com">www.pepperl-fuchs.com</a> .

Release date 2018-09-14 10:22 Date of issue 2018-09-14 284166\_eng.xml

Refer to "General Notes Relating to Pepperl+Fuchs Product Information".

Pepperl+Fuchs Group  
www.pepperl-fuchs.com

USA: +1 330 486 0002  
pa-info@us.pepperl-fuchs.com

Germany: +49 621 776 2222  
pa-info@de.pepperl-fuchs.com

Singapore: +65 6779 9091  
pa-info@sg.pepperl-fuchs.com