



### Model Number

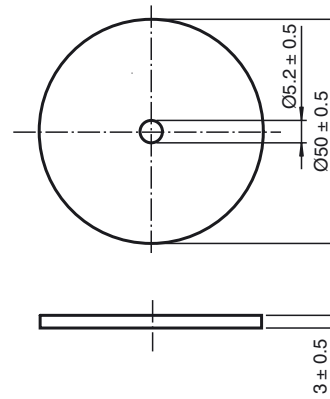
**IQC21-50 25pcs**

Data carrier

### Features

- Operating frequency 13.56 MHz
- Conforms to ISO 15693
- 64 bit Fixcode
- 896 bits memory available
- Readable and writable from both sides
- Degree of protection IP68
- Mounting holes for simple installation

### Dimensions



### Technical data

#### General specifications

Operating frequency	13.56 MHz
Transfer rate	26 kBit/s

#### Memory

Chip Type	I-CODE SLI (NXP)
EEPROM	896 Bit
UID	64 Bit
Memory organization	4 bytes/block
Read cycles	unlimited
Write cycles	> 100000
Data retention period	10 years at 55 °C (131 °F)

#### Standard conformity

Degree of protection	EN 60529
RFID	ISO/IEC 15693-1:2010 , ISO/IEC 15693-2:2006 , ISO/IEC 15693-3:2009 , ISO/IEC 18000-3

#### Ambient conditions

Ambient temperature	-25 ... 85 °C (-13 ... 185 °F)
Storage temperature	-40 ... 85 °C (-40 ... 185 °F) 160 °C (320 °F) for 50 hours 220 °C (428 °F) for 30 min

#### Mechanical specifications

Degree of protection	IP68
Material	
Housing	PA 6
Installation	
In air	yes
Construction type	Cylindrical
Note	Packaging unit, 25-piece

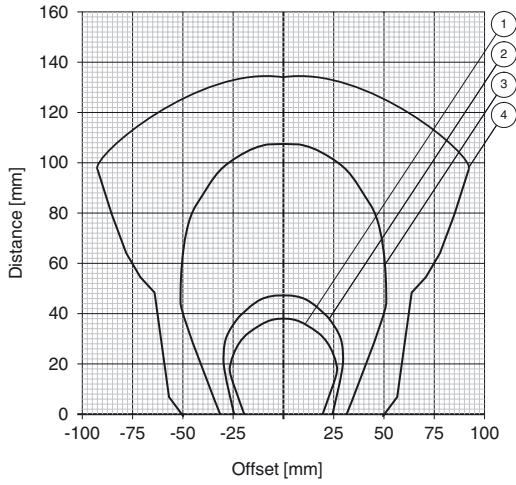
### Notes

The transponder can be read and written from either side.

**Read/write distances**

- ① IQH1-18GM-V1    ② IQH1-F61-V1    ③ IQH1-FP-V1
- ④ IQH1-F15-V1

Reading range in air IQC21-50P



Release date: 2019-01-24 10:22 Date of issue: 2019-01-25 285978\_eng.xml