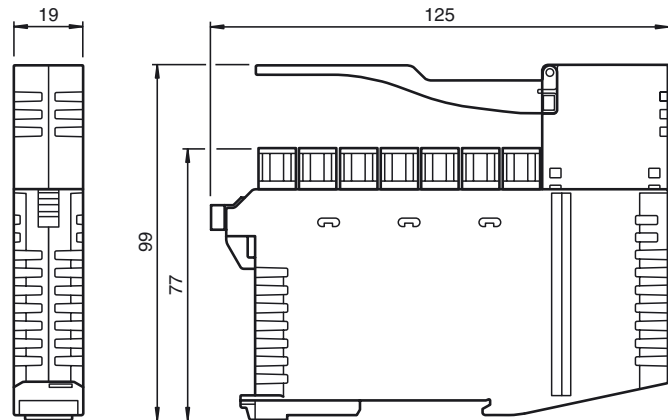


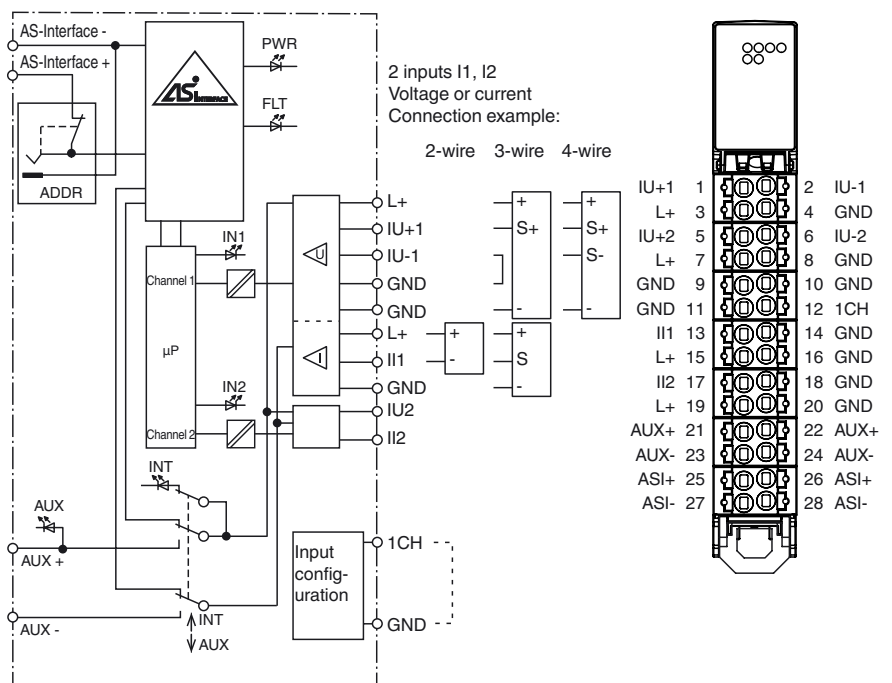
Dimensions



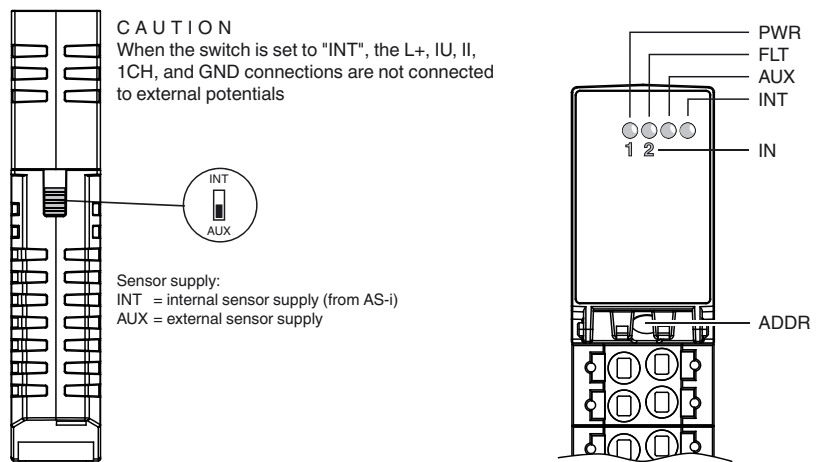
Electrical connection

Model number
VBA-2E-KE5-IJL/UJL
 Switch cabinet module
 2 analog Inputs

- Features**
- Housing with push-in connection technology and mechanically coded terminal blocks
 - Housing width 19 mm, installation in the switch cabinet on DIN mounting rail
 - Sensors can be supplied either from the AS-Interface or external auxiliary voltage, as preferred
 - Function indicator for the bus, external auxiliary voltage, internal sensor supply, and inputs



Indicating / Operating means



Release date: 2018-06-19 15:24 Date of issue: 2018-06-19 288595_eng.xml

Technical data**General specifications**

Slave type	Standard slave
AS-Interface specification	V3.0
Required master specification	≥ V2.1
UL File Number	E223772
MTBF	154 a

Indicators/operating means

LED FAULT	Fault indication: red LED Red: communication error or address is 0 Red flashing: peripheral fault
LED INT	Internal input supply active; LED green
LED PWR	AS-Interface voltage; green LED Green: voltage OK Flashing green: address 0 or peripheral error
LED AUX	ext. auxiliary voltage U_{AUX} ; dual LED green/red green: voltage OK red: reverse voltage
LED IN	status of input signal; LED yellow off: not active on: signal within measurement range flashing: signal outside of measurement range

Electrical specifications

Auxiliary voltage (output)	U_{AUX}	20 ... 30 V DC PELV
Rated operating voltage	U_e	26.5 ... 31.6 V from AS-Interface
Rated operating current	I_e	≤ 70 mA (without sensors) / max. 200 mA
Protection class		III
Current consumption	$I_{AUX} \leq$	650 mA
Surge protection	U_{AUX} , U_e :	overvoltage category II, safe isolated power supplies (PELV)

Input

Number/Type	2 analog inputs Current: 0 ... 20 mA/4 ... 20 mA voltage: 0 ... 10 V
Supply	From AS-Interface (switch setting INT, default setting) or from auxiliary voltage U_{AUX} (switch setting AUX)
Current loading capacity	≤ 100 mA from AS-Interface; overload and short-circuit resistant ≤ 600 mA From auxiliary voltage U_{AUX} (AUX switch position), overload and short-circuit protected
Input resistance	current input: ≤ 70 Ω voltage input: 100 kΩ
Accuracy	0.1 % of input signal range at 25 °C (298 K)
Resolution	15 Bit
Temperature influence	0.0025 %/K of input signal range

Output

Temperature influence	1 μA/K or 0,3 mV/K
-----------------------	--------------------

Directive conformity

Electromagnetic compatibility	
Directive 2014/30/EU	EN 62026-2:2013

Standard conformity

Degree of protection	EN 60529:2000
Fieldbus standard	EN 62026-2:2013
Emitted interference	EN 61000-6-4:2007
AS-Interface	EN 62026-2:2013
Noise immunity	EN 61000-6-2:2005, EN 61326-1:2006, EN 62026-2:2013

Programming instructions

Profile	S-7.3.D
IO code	7
ID code	3
ID1 code	F
ID2 code	D

Data bits (function via AS-Interface) The transfer of the data value is based on AS-Interface Profile 7.3.

Parameter bits (programmable via AS-i) **function**

P0	50/60 Hz filter P0=1, enabled P0=0, disabled
P1	projecting of the 2nd channel P1=1, channel 2 is projected P1=0, channel 2 is not projected
P2	Indication of the peripheral fault by exceeding measuring range P2=1, peripheral fault is reported P2=0, peripheral fault is not reported
P3	P3=1, normal operating mode P3=0, both channels in current mode and without recognition of wire breakage

Ambient conditions

Ambient temperature	-25 ... 70 °C (-13 ... 158 °F)
Storage temperature	-25 ... 85 °C (-13 ... 185 °F)

Function

The AS-Interface connecting module VBA-2E-KE5-IJL/UJL is a switch cabinet module with 2 analog outputs for voltage or current. The housing is only 19 mm wide and takes up little space in the switch cabinet. The module is mounted by snapping it onto the 35 mm DIN rail in compliance with EN 50022.

The connection is made via removable 4-pin push-in terminal blocks. For AS-i+, AS-i-, AUX+, and AUX-, two connections are available in each case; these connections are bridged in the terminal block. If the terminal block is disconnected from the module, the link between these connections is retained. The terminal blocks are mechanically coded. The supply to the inputs and the connected sensors can be fed either from the internal supply of the module from the AS-Interface or via an external U_{AUX} auxiliary voltage. A switch located on the side of the module changes the source.

The relevant IN LED displays the current status of the inputs. If input signals are valid, the corresponding IN LED lights up permanently. If signals are outside the measuring range, the corresponding IN LED flashes.

The analog values are transmitted asynchronously with a data width of 16 bits as defined by AS-Interface profile 7.3. The value range of the current input is 0 ... 20,000 without wire break detection and 4000 ... 20,000 with wire break detection. The value range of the voltage input is 0 ... 10,000.

Grid failures can be filtered using a parameterizable filter at 50 Hz or 60 Hz.

Notes:

Overloading of the internal input supply, absence of the external U_{AUX} voltage source, measuring overrange, and a wire break at the current input are reported as peripheral faults to the AS-Interface master.

If the wire break detection is disabled, the extended current measuring range can be used.

A jumper between GND and 1CH or the parameter P1 can deactivate input channel 2. The jumper has priority here. If no jumper is set and P1 = 1, then both channels are active. Do not connect the 1CH and GND connections to external potentials. The length of the jumpers must not exceed 5 cm.

Accessories**VBP-HH1-V3.0-KIT**

AS-Interface Handheld with accessory

VBP-HH1-V3.0

AS-Interface Handheld

VAZ-PK-1,5M-V1-G

Adapter cable module/hand-held programming device

VAZ-BRIDGE-BU/BN60MM/0,75-100

Relative humidity	85 % , noncondensing
Climatic conditions	For indoor use only
Altitude	≤ 2000 m above MSL
Shock and impact resistance	15 g, 11 ms in 6 spatial directions, 3 shocks 10 g, 16 ms in 6 spatial directions, 1000 shocks
Vibration resistance	0.35 mm 10 ... 57 Hz , 5 g 57 ... 150 Hz, 20 cycles
Pollution degree	2
Mechanical specifications	
Degree of protection	IP20
Connection	Removable push-in terminals rated connection capacity: rigid: 0.20 mm ² ... 1.5 mm ² flexible (without wire end ferrule): 0.20 mm ² ... 2.5 mm ² flexible (with wire end ferrule): 0.25 mm ² ... 1.5 mm ²
Material	
Housing	PA 66-FR
Mass	110 g
Mounting	DIN mounting rail
Note	Max. length of jumpers = 5 cm

Notes

Do not connect inputs, which are supplied via the module from AS-interface or via auxiliary power, with power supply and signal circuits with external potentials.