



Model Number

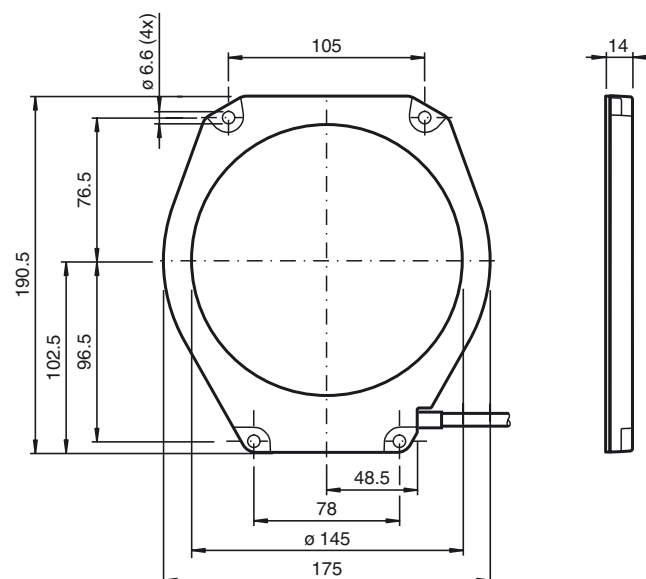
IQH1-F198-M-V1

HF read/write head, ISO 15693, for IDENTControl

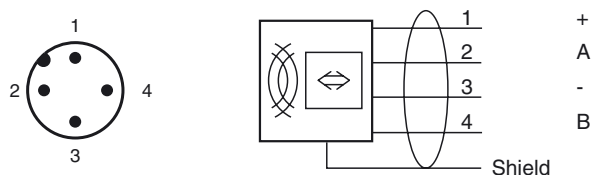
Features

- Operating frequency 13.56 MHz
- Conforms to ISO 15693
- Suitable for FRAM transponder
- Particularly flat construction
- Connection cable with V1 plug (M12 x 1)
- Degree of protection IP67
- Can be mounted on metal
- For connection to IDENTControl control interface

Dimensions



Electrical connection



Technical data

General specifications

Operating frequency	13.56 MHz
Transfer rate	26 kBit/s
Sensing range	
Read distance	0 ... 150 mm
Write distance	0 ... 150 mm
Width	max. 145 mm

Indicators/operating means

LED green/yellow	green: power on green flashing: read/write attempt performed yellow: data carrier detected
------------------	--

Electrical specifications

Power consumption	P_0	≤ 1.3 W
Supply	from the IDENTControl	

Directive conformity

Radio and telecommunication terminal equipment

Directive 2014/53/EU	EN 301489-1:2011 V1.9.2, EN 301489-3:2013 V1.6.1, EN 300330:2017 V2.1.1, EN 60950-1:2006
----------------------	--

Standard conformity

Electromagnetic compatibility	EN 61000-6-2:2005, EN 61000-6-4:2007+A1:2011, EN 301489-1:2011 V1.9.2
Degree of protection	EN 60529
RFID	ISO/IEC 15693-2:2006, ISO/IEC 15693-3:2009, ISO/IEC 18000-3:2010

Ambient conditions

Ambient temperature	-25 ... 70 °C (-13 ... 158 °F)
Storage temperature	-40 ... 85 °C (-40 ... 185 °F)

Mechanical specifications

Degree of protection	IP67
----------------------	------

Connection	M12 x 1 connector
Material	
Housing	PA 6.6
Base	Aluminum
Encapsulation compound	WEVO 403FL/300
Installation	
Distance between two heads	Multiplex on: ≥ 100 mm Multiplex off: ≥ 150 mm
Mass	approx. 250 g
Cable length	20 cm

Accessories**IQC21-30P**

Data carrier

IQC21-50P

Data carrier

IQC21-58

Data carrier

IQC22-C1

Data carrier

IQC33-20

Data carrier

IQC33-30

Data carrier

IQC33-50

Data carrier

V1-G-5M-PUR-ABG-V1-W

Connecting cable, M12 to M12, PUR cable 4-pin, shielded

V1-G-10M-PUR-ABG-V1-W

Connecting cable, M12 to M12, PUR cable 4-pin, shielded