



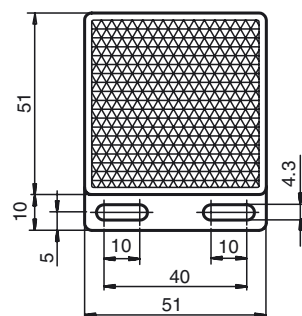
Model Number

REF-ORR50G-2

Features

- Active reflector field 44 mm x 44 mm
- Mounting holes for simple installation
- With surface mounted polarization filter
- Specially designed to detect films and transparent plastics with polarization-modifying properties in conjunction with sensors from the R100, R101, and R103 series for detecting clear glass

Dimensions



T = 8

Technical data

General specifications

Construction type rectangular

Ambient conditions

Ambient temperature 0 ... 50 °C (32 ... 122 °F)

Mechanical specifications

Material PMMA/ABS

Dimensions 51 mm x 61 mm x 8 mm

Mounting mounting holes

Mounting

Many transparent films with polarisation-modifying characteristics cannot be detected, or can only be detected with difficulty, when standard reflectors are used in association with sensors for clear glass detection. This problem is solved by using this reflector.

Operation instructions:

- When aligning the system, the sensor Teach-in function should be used. In rare cases, however, manual adjustment of the sensitivity via the sensor may be necessary.

This applies, for example, to CD cases, on which the signal attenuation near to the edges is much stronger than in the centre. A Teach-in operation would match the response threshold at the strongly attenuated edge region. The detection of the poorly absorbing centre area of the CD case would then become questionable.

In such cases a solution is found by manually adjusting the sensitivity.

- For a sure detection of films with extremely inhomogeneous polarisation characteristics, the reflector must be mounted as close as possible to the film.

Notes on use and cleaning:

- Not suitable for regular outside use or in wet / damp areas.
- Clean with a damp cloth. Do not use aggressive or scouring cleaning agents.