



**Model number**

**VAZ-2T-KE4-ENC-2V45**

KE4 switch cabinet module for rotary encoder  
 Adapter for 2 rotary encoder to rotation speed monitor and control panel

**Features**

- SSI, Sin/Cos, TTL interface

**Function**

Using the VAZ-2T-KE4-ENC-2V45 adapter module, rotary encoders and rotation speed monitors can be incorporated into the control loop feedback, without influencing the actual control system. The adapter module for connecting two rotary encoders to a rotation speed monitor and a control panel provides a separate supply for the encoders.

**Accessories**

**VBP-HH1-V3.0-KIT**  
 AS-Interface Handheld with accessory

**VAZ-PK-1,5M-V1-G**  
 Adapter cable module/hand-held programming device

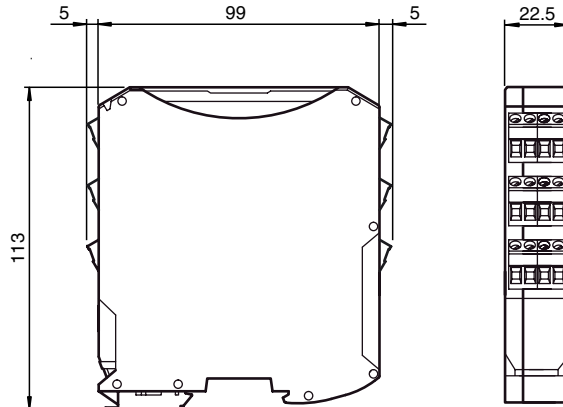
**VAZ-SW-SUITE**  
 Combined software for configuration, diagnostics, and programming, for masters and safety monitors (type KE4, K20, K30, K31)

**Matching system components**

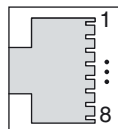
**RVS58S-\*\*\*\*\*Z**

**RVS58S-282YR4ZN-01024**  
 safety incremental encoder

**Dimensions**



**Electrical connection**



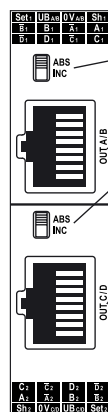
**Out A/B**

- 1 =  $U_{B/A/B}$
- 2 =  $0 V_{A/B}$
- 3 = B (ABS)
- 4 = A
- 5 =  $\bar{A}$
- 6 =  $\bar{B}$  (ABS)
- 7 = B (INC)
- 8 =  $\bar{B}$  (INC)

**Out C/D**

- 1 =  $U_{C/D}$
- 2 =  $0 V_{C/D}$
- 3 = D (ABS)
- 4 = C
- 5 =  $\bar{C}$
- 6 =  $\bar{D}$  (ABS)
- 7 = D (INC)
- 8 =  $\bar{D}$  (INC)

**Indicating / Operating means**



Switch for absolute values/incremental values  
 Connection of rotation speed monitor signal A + B  
 Connection of rotation speed monitor signal C + D

Sh1, Sh2	Shielding
$U_{B/A/B}, 0 V_{A/B}$	Rotary encoder supply A/B
$U_{C/D}, 0 V_{C/D}$	Rotary encoder supply C/D
Set1, Set2	Set signal (internally bridged)

Rotary encoder:	sin/cos	SSI
A1, $\bar{A}$ 1, A2, $\bar{A}$ 2	cosinus	DATA
B1, $\bar{B}$ 1, B2, $\bar{B}$ 2	sinus	CLK
C1, $\bar{C}$ 1, C2, $\bar{C}$ 2	cosinus	DATA
D1, $\bar{D}$ 1, D2, $\bar{D}$ 2	sinus	CLK
Out A/B	Rotation speed monitor signal A + B	
Out C/D	Rotation speed monitor signal C + D	

**Technical data**

**Electrical specifications**

Release date: 2017-03-13 07:59 Date of issue: 2017-09-01 292480\_eng.xml

Refer to "General Notes Relating to Pepperl+Fuchs Product Information".

Pepperl+Fuchs Group  
 www.pepperl-fuchs.com

USA: +1 330 486 0001  
 fa-info@us.pepperl-fuchs.com

Germany: +49 621 776 4411  
 fa-info@de.pepperl-fuchs.com

Singapore: +65 6779 9091  
 fa-info@sg.pepperl-fuchs.com

Rated operating voltage	$U_e$	max. 40 V
<b>Interface 1</b>		
Interface type	Rotary encoder and control panel	
Physical	6 x 4-contact COMBICON plug	
<b>Interface 2</b>		
Interface type	Rotation Speed Monitor	
Physical	2 x RJ-45	
<b>Input</b>		
Number/Type	Two inputs for rotary encoders HTL, SinCos, TTL, SSI, BiSS	
Supply	Separate for each rotary encoder	
<b>Ambient conditions</b>		
Ambient temperature	0 ... 55 °C (32 ... 131 °F)	
Storage temperature	-25 ... 85 °C (-13 ... 185 °F)	
Altitude	0 ... 2000 m	
<b>Mechanical specifications</b>		
Degree of protection	IP20	
Connection	removable terminals rated connection capacity: rigid/flexible (with and without wire-end ferrules): 0.25 mm <sup>2</sup> ... 2.5 mm <sup>2</sup> for multiple-wire connection with two wires of equal cross-section: flexible with twin wire-end ferrules: 0.5 mm <sup>2</sup> ... 1.5 mm <sup>2</sup>	
<b>Material</b>		
Housing	PA 66-FR	
Mounting	DIN mounting rail	