



### Model Number

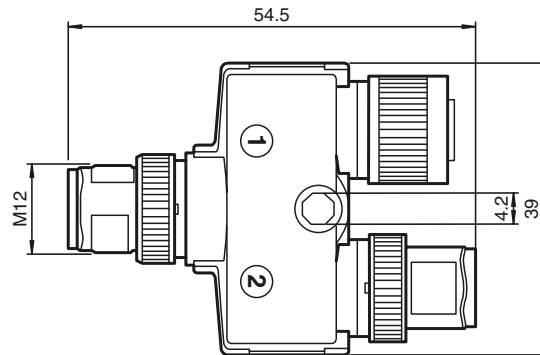
#### V19SY-Y-V1D/V1S

Y-Splitter, M12 plug Y-coded to M12 plug A-coded/socket D-coded

### Features

- Hybrid Ethernet CAT5, 100 MBit/s
- Degree of protection IP65

### Dimensions



### Technical data

#### General specifications

Number of pins	8
Coding	Y hybrid
Connection 1	socket
Construction type 1	straight
Threading 1	M12
Connection 2	Male connector
Construction type 2	straight
Threading 2	M12
Connection 3	Male connector
Construction type 3	straight
Threading 3	M12

#### Electrical specifications

Operating voltage	$U_B$	30 V AC/DC
Operating current	$I_B$	4 A
Insulation resistance		$\geq 100 \text{ M}\Omega$

#### Ambient conditions

Ambient temperature	-25 ... 80 °C (-13 ... 176 °F)
Pollution degree	3

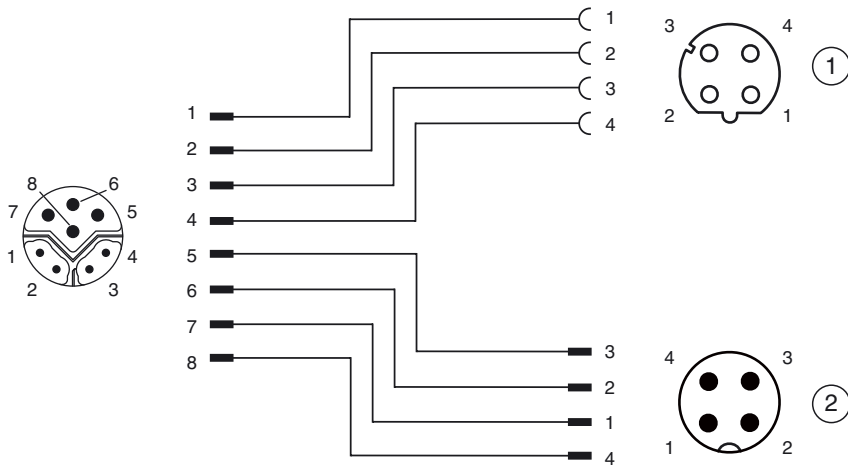
#### Mechanical specifications

Cable version	Hybrid Ethernet CAT5, 100 MBit/s
Degree of protection	IP65
Connection	M12 straight socket, D-coded M12 straight plug, Y-coded M12 straight plug, A-coded
Material	
Contacts	CuZn
Contact surface	Ni/Au
Body	TPU
Slotted nut	Zinc die-casting, nickel-plated
Seal	NBR

#### Compliance with standards and directives

Standard conformity	
Degree of protection	EN 60529:2000
Standards	CAT5 (IEC 11801:2002) , IEC 61076-2-101:2008
Flammability	HB

Electrical connection



Release date: 2018-03-12 08:36 Date of issue: 2018-03-12 293631\_eng.xml