



Model Number

IQC24-50F 10pcs

Data carrier

Features

- Operating frequency 13.56 MHz
- Conforms to ISO 15693
- 992 bytes memory freely available
- Readable and writable from both sides
- Degree of protection IP68
- Mounting holes for simple installation

Matching system components

IQZ-MH-50F

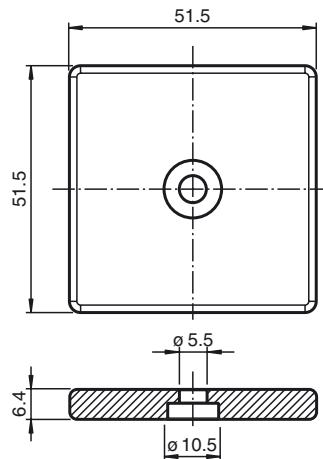
Spacers for code/data carrier

Accessories

ICZ-MH30-25-T10

Spacers for code/data carrier

Dimensions



Technical data

General specifications

Operating frequency	13.56 MHz
Transfer rate	26 kBit/s

Memory

Chip Type	my-d SRF 55V10P (Infineon)
EEPROM	992 Bit
UID	64 Bit
Memory organization	4 bytes/block
Read cycles	unlimited
Write cycles	> 100000
Data retention period	10 years at 55 °C (131 °F)

Directive conformity

Radio and telecommunication terminal equipment	
Directive 2014/53/EU	EN 300330-2:2015 V1.6.1

Standard conformity

Degree of protection	EN 60529:2000
RFID	ISO/IEC 15693-1:2010 , ISO/IEC 15693-2:2006 , ISO/IEC 15693-3:2009 , ISO/IEC 18000-3:2010

Ambient conditions

Ambient temperature	-20 ... 85 °C (-4 ... 185 °F)
Storage temperature	-40 ... 85 °C (-40 ... 185 °F)
Climatic conditions	100 % non-condensing

Mechanical specifications

Degree of protection	IP68
Material	
Housing	ABS
Installation	
In air	yes
Mass	25 g
Construction type	Rectangular type
Note	Packaging unit, 10-piece

Notes

The transponder can be read and written from either side.