



**Model Number**

**V1-8A-E2-V112**

8-way passive distributor with M12 plug, 12-pin

**Features**

- Fast, flexible installation/separation
- LED indicator for module supply and I/O status
- Degree of protection IP67

**Accessories**

**VAZ-V1-B3**

Blind plug for M12 sockets

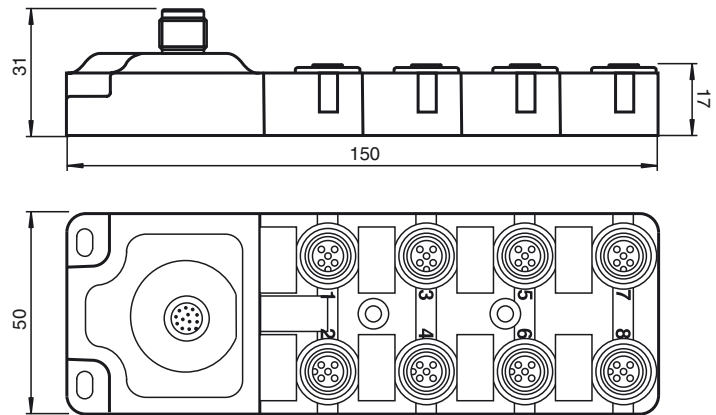
**MH V1-SCREWDRIVER**

torque screwdriver (0.4 Nm)

**MH V1-BIT M12**

plug-in cap M12

**Dimensions**



**Technical data**

**General specifications**

Number of pins	5
UL File Number	E223772

**Electrical specifications**

Operating voltage	$U_B$	24 V DC
Operating current	$I_B$	max. 1.5 mA
Current loading capacity		≤ 1.5 A Per contact 1.5 A Total current

**Output**

Number/Type	8
-------------	---

**Ambient conditions**

Ambient temperature	-20 ... 70 °C (-4 ... 158 °F)
---------------------	-------------------------------

**Mechanical specifications**

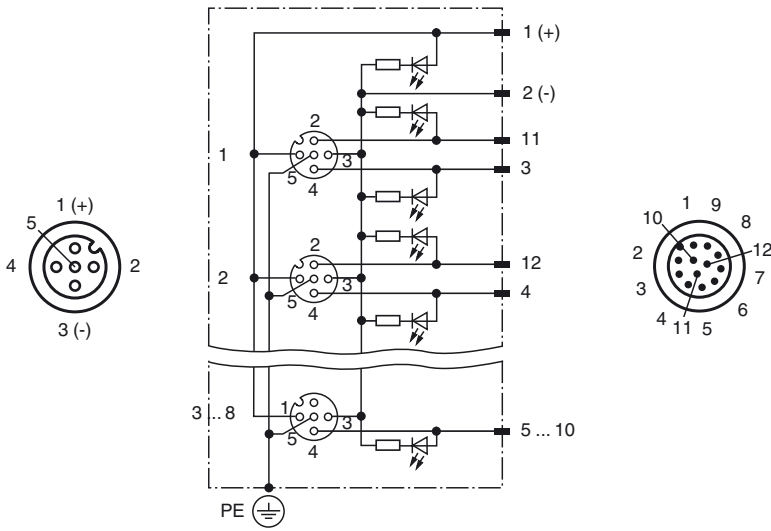
Connection type	8 x socket M12 x 1 5-pin 1 x Male connector M12 12-pin
Degree of protection	IP65/IP67
Material	
Housing	Plastic ABS, flame resistant
Mass	approx. 150 g

**Compliance with standards and directives**

Standard conformity	
Degree of protection	EN 60529

Release date: 2017-11-14 14:57 Date of issue: 2017-11-14 297553\_eng.xml

Electrical connection



Release date: 2017-11-14 14:57 Date of issue: 2017-11-14 297553\_eng.xml