

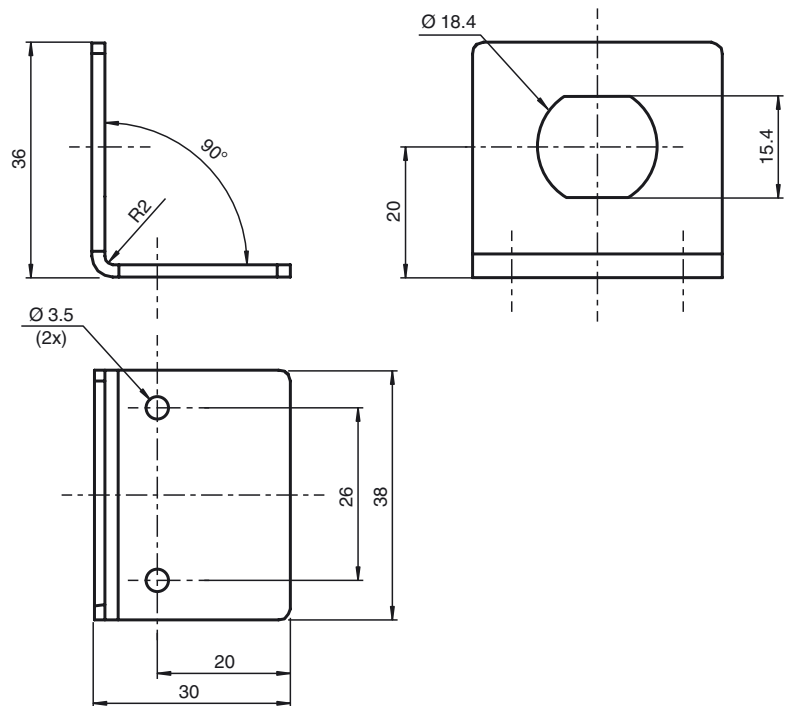
**Model Number**

OMH-R103-01

Mounting bracket

Features

- Mounting bracket
- Simple and fast mounting

Dimensions**Technical data****Mechanical specifications**

Material	Stainless steel
Mass	approx. 33 g

Suitable series

Series	R103
--------	------