

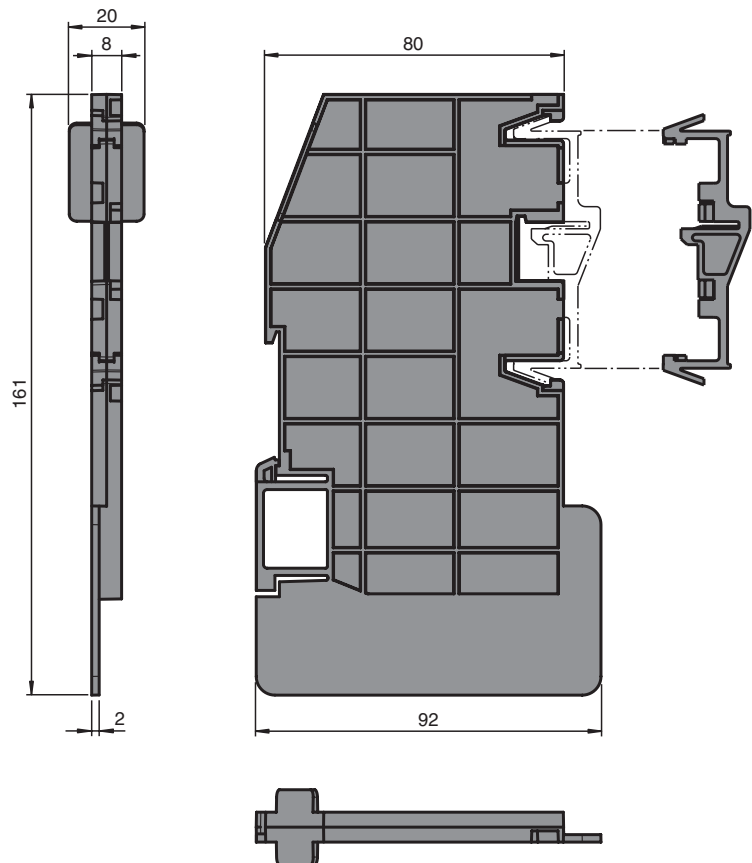


Insulation Spacer for Universal Power Rail

### Features

- For surge protection system M-LB-5000
- Isolation acc. to IEC 60079-11
- Color black
- DIN rail mountable

### Dimensions



### Technical data

<b>Ambient conditions</b>	
Ambient temperature	-40 ... 60 °C (-40 ... 140 °F)
Storage temperature	-40 ... 85 °C (-40 ... 185 °F)
Relative humidity	max. 95 % , without condensation
<b>Mechanical specifications</b>	
Mass	approx. 120 g
Dimensions	20 x 92 x 161 mm
Mounting	on 35 mm DIN mounting rail acc. to EN 60715:2001
<b>Accessories</b>	
Designation	system components: - universal power rail M-UPR-03-S

### Function

The component is mounted on the DIN mounting rail between surge protection barriers, power supplies, and evaluation units, to ensure a separation distance of 50 mm between the intrinsically safe circuits and the non-intrinsically safe circuits.

A fastener is enclosed with the component. This fastener is required to fix the Universal Power Rail into the base module.

The component is mounted on a 35 mm DIN mounting rail according to EN 60715.