



### Model Number

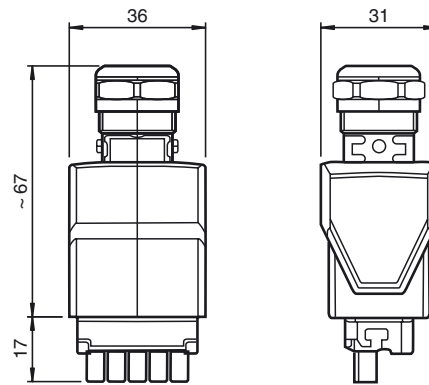
**ICZ-AIDA3-MSTB**

MSTB connector, lockable

### Features

- Lockable

### Dimensions



### Technical data

#### General specifications

Number of pins	5
----------------	---

#### Electrical specifications

Rated current	$I_r$	16 A
Nominal voltage		24 V

#### Ambient conditions

Ambient temperature	-40 ... 85 °C (-40 ... 185 °F)
Storage temperature	-40 ... 85 °C (-40 ... 185 °F)

#### Mechanical specifications

Degree of protection	IP65
Connection	MSTB
<b>Material</b>	
Contacts	Cu alloy
Contact surface	Au
Housing	Zinc die-casting, nickel-plated
<b>Cable</b>	
Sheath diameter	6.5 mm ... 9 mm
Core diameter	0.75 mm <sup>2</sup> ... 2.5 mm <sup>2</sup> 18 ... 13 AWG
Mass	108.5 g