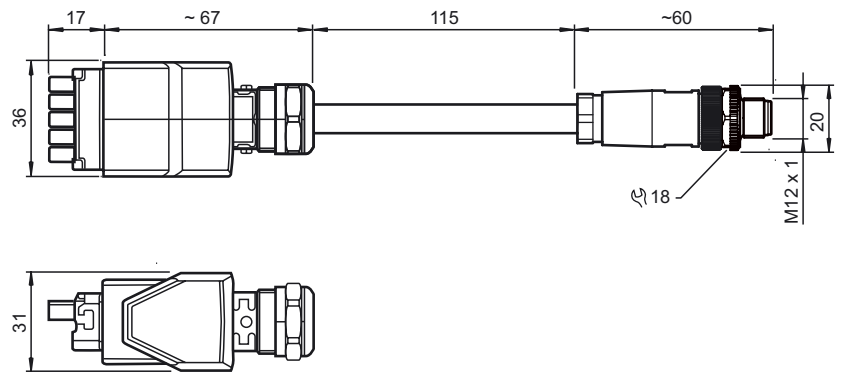




## Dimensions



## Model Number

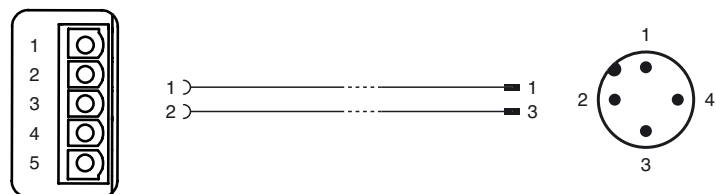
**ICZ-AIDA3-MSTB-0,2M-PUR-V1-G**

Connection cable MSTB to M12 connector

## Features

- Lockable

## Electrical connection



## Technical data

### General specifications

Number of pins	2
----------------	---

### Electrical specifications

Operating current	$I_B$	max. 4 A
Nominal voltage		24 V

### Ambient conditions

Ambient temperature	-25 ... 70 °C (-13 ... 158 °F)
---------------------	--------------------------------

### Mechanical specifications

Degree of protection	IP65
Connection	5-pin Combicon socket on 4-pin M12 connector

### Material

Contacts	CuZn
Contact surface	CuSnZn
Housing	Zinc die-casting, nickel-plated
Connector	CuZn
Body	PA

### Cable

Sheath diameter	7.8 mm
Color	orange
Cores	2 x 1.5 mm <sup>2</sup>
Mass	140 g