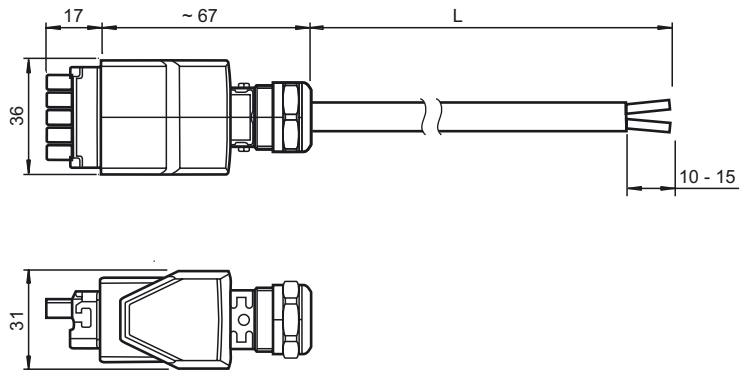
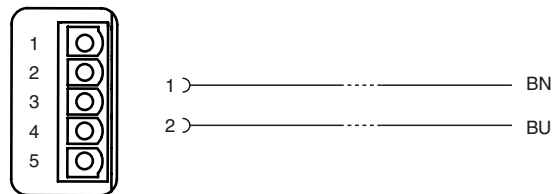




Dimensions



Electrical connection



Model Number

ICZ-AIDA3-MSTB-5M-PUR

Connection cable MSTB to cable tail

Features

- Lockable

Technical data

General specifications

Number of pins 2

Electrical specifications

Rated current I_r 16 A
Nominal voltage 24 V

Ambient conditions

Ambient temperature -40 ... 70 °C (-40 ... 158 °F)

Mechanical specifications

Degree of protection IP65
Connection 5-pin Combicon socket to open cable end

Material

Housing Zinc die-casting, nickel-plated
Core insulation TPE

Cable

Sheath diameter 10 mm
Bending radius > 10 x cable diameter, moving
> 4 x cable diameter, fixed
Color yellow (RAL 1016)
Cores 2 x 2.5 mm²
Length L 5 m

Release date: 2018-02-08 10:39 Date of issue: 2018-02-08 303084_eng.xml