



Model Number

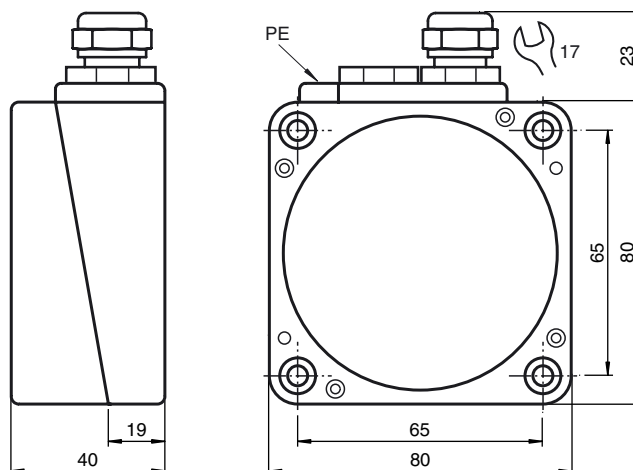
IQH1-FP7V4A

HF read/write head, ISO 15693, for IDENTControl

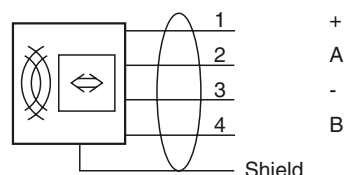
Features

- Operating frequency 13.56 MHz
- Conforms to ISO 15693
- Suitable for FRAM transponder
- Dual-LED for function display
- Stainless steel housing
- Resistant against cleaning material
- Connection via terminal compartment
- Degree of protection IP67 / IP68 / IP69K
- For connection to IDENTControl control interface

Dimensions



Electrical connection



Technical data

General specifications

Operating frequency	13.56 MHz
Transfer rate	26 kBit/s
Sensing range	
Read distance	0 ... 130 mm
Write distance	0 ... 130 mm
Width	max. 100 mm
UL File Number	E87056

Functional safety related parameters

MTTF _d	680 a
Mission Time (T _M)	10 a
Diagnostic Coverage (DC)	0 %

Indicators/operating means

LED green/yellow	green: power on green flashing: read/write attempt performed yellow: data carrier detected
------------------	--

Electrical specifications

Power consumption	P ₀	≤ 1.3 W
Supply		from the IDENTControl

Directive conformity

Radio and telecommunication terminal equipment	
Directive 2014/53/EU	EN 301489-1 V1.8.1 (2008-04), EN 301489-3 V1.4.1 (2002-08), EN 300330-2 V1.3.1 (2006-04), EN 60950-1:2006

Standard conformity

Electromagnetic compatibility	EN 61000-6-2, EN 61000-6-4
Degree of protection	EN 60529
RFID	ISO/IEC 15693-2:2006, ISO/IEC 15693-3:2009, ISO/IEC 18000-3:2010

Ambient conditions

Ambient temperature	-25 ... 70 °C (-13 ... 158 °F)
Storage temperature	-40 ... 85 °C (-40 ... 185 °F)

Mechanical specifications

Degree of protection	IP69K
Connection	terminal compartment, ≤ 2.5 mm ² conductor csa
Material	
Housing	PBT
Base	stainless steel V4A
Encapsulation compound	CY 221/HY 2966

Installation

Distance between two heads	Multiplex on: ≥ 100 mm Multiplex off: ≥ 150 mm
Mass	approx. 700 g

Accessories

IC-KP-B17-AIDA1

IDENTControl control interface
With Ethernet interface for TCP/IP,
PROFINET, EtherNet/IP, and MODBUS
TCP protocols

IC-KP2-1HB17-2V1D

IDENTControl Compact control interface
With Ethernet interface for TCP/IP,
PROFINET, EtherNet/IP, and MODBUS
TCP protocols

IC-KP2-2HB17-2V1D

IDENTControl Compact control interface
With Ethernet interface for TCP/IP,
PROFINET, EtherNet/IP, and MODBUS
TCP protocols

IC-KP2-1HB6-V15B

Control interface unit
IDENTControl Compact
with PROFIBUS DP interface

IC-KP2-2HB6-V15B

Control interface unit
IDENTControl Compact
with PROFIBUS DP interface

IC-KP2-1HRX-2V1

Control interface unit
IDENTControl Compact
with serial interface RS-232 and RS-485

IC-KP2-2HRX-2V1

Control interface unit
IDENTControl Compact
with serial interface RS-232 and RS-485

IC-KP2-2HB21-2V1D

Control interface unit
IDENTControl Compact
with EtherCAT interface

V1-G-5M-PUR-ABG-V1-W

Connecting cable, M12 to M12, PUR ca-
ble 4-pin, shielded

V1-G-10M-PUR-ABG-V1-W

Connecting cable, M12 to M12, PUR ca-
ble 4-pin, shielded

IQC21-30 25pcs

Data carrier

IQC21-50 25pcs

Data carrier

IQC21-58

Data carrier

IQC21-50PVC

Data carrier

IQC33-20 50pcs

Data carrier

IQC33-30 25pcs

Data carrier

IQC33-50 25pcs

Data carrier

AB-FP

Mounting bracket