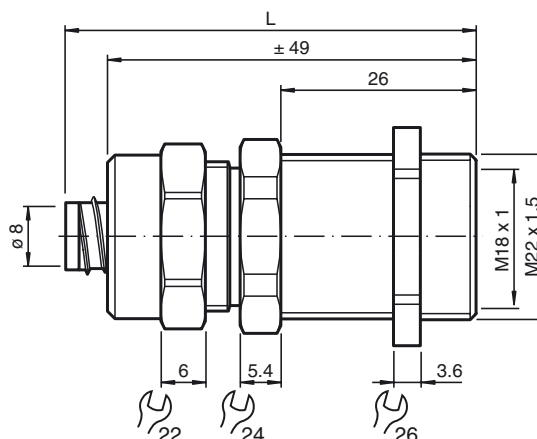




Dimensions



Model Number

CP-ADP-MS-5/16-M18 5pcs

Sensor adapter for M18 sensors and 5/16" flexible metal conduit

Features

- Suitable for 5/16" flexible metal conduit

Function

The sensor is screwed into the internal thread of the sensor adapter. The sensor adapter is used in conjunction with a suitable flexible conduit and a suitable cable gland to form a cable protection system for sensors. The purpose of this system is to protect the sensor wiring in harsh environments.

Matching system components

CP-CGL-MS-5/16-M16 5pcs

Cable gland M16 for cable diameter 4 ... 6.8 mm and 5/16" flexible metal conduit

CP-CGL-MS-5/16-M20 5pcs

Cable gland M20 for cable diameter 4 ... 6.8 mm and 5/16" flexible metal conduit

CP-CDT-MS-5/16-10M

5/16" flexible metal conduit 10 m

Technical data

Mechanical specifications

External thread	
Thread type	metric
Thread size	M22 x 1.5
Internal thread	
Thread type	metric
Thread size	M18 x 1
Material	
Screwed connection	brass, nickel-plated
Slotted nut	brass
Clamping ring	nickel-plated brass
Mass	62 g

General information

Scope of delivery	5 item(s)
Supplementary information	observe mounting instructions