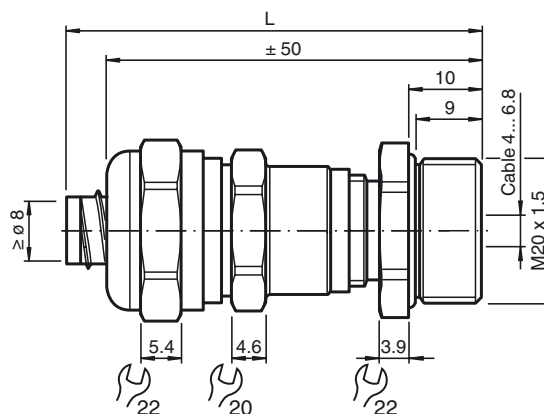




## Dimensions



### Model Number

#### CP-CGL-MS-5/16-M20 5pcs

Cable gland M20 for cable diameter 4 ... 6.8 mm and 5/16" flexible metal conduit

### Features

- Suitable for 5/16" flexible metal conduit

### Function

The cable gland is used in conjunction with a suitable flexible conduit and a suitable sensor adapter to form a cable protection system for sensors. The purpose of this system is to protect the sensor wiring in harsh environments.

### Matching system components

#### CP-CDT-MS-5/16-10M

5/6" flexible metal conduit 10 m

#### CP-ADP-MS-5/16-M18 5pcs

Sensor adapter for M18 sensors and 5/6" flexible metal conduit

#### CP-ADP-MS-5/16-M30 5pcs

Sensor adapter for M39 sensors and 5/6" flexible metal conduit

## Technical data

### Mechanical specifications

Clamping range (D)	
Seal insert	outer seal: for cable diameter 6 ... 6.8 mm outer seal + inner seal: for cable diameter 4 ... 6 mm
Thread type	metric
Thread size	M20 x 1.5
Degree of protection	IP65
Material	
Cable gland	brass, nickel-plated
Seal	Seal two-piece , synthetic rubber EDPM V0
Clamping ring	brass, nickel-plated
O-Ring	NBR
Mass	66 g

### General information

Supplementary information	observe mounting instructions
---------------------------	-------------------------------