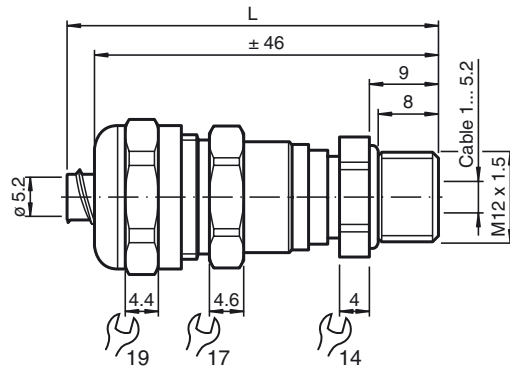




Dimensions



Model Number

CP-CGL-SLT-1/4-M12 5pcs

Cable gland M12 for cable diameter 1 ... 5.2 mm and 1/4" flexible coated conduit

Features

- Suitable for 1/4" flexible coated conduit

Function

The cable gland is used in conjunction with a suitable flexible conduit and a suitable sensor adapter to form a cable protection system for sensors. The purpose of this system is to protect the sensor wiring in harsh environments.

Matching system components

CP-CDT-SLT-1/4-10M

1/4" flexible coated conduit 10 m

CP-ADP-SLT-1/4-M8 5pcs

Sensor adapter for M8 sensors and 1/4" flexible coated conduit

CP-ADP-SLT-1/4-M12 5pcs

Sensor adapter for M12 sensors and 1/4" flexible coated conduit

CP-ADP-SLT-1/4-M14 5pcs

Sensor adapter for M14 sensors and 1/4" flexible coated conduit

Technical data

Mechanical specifications

Clamping range (D)	
Seal insert	outer seal: for cable diameter 4 ... 5.2 mm outer seal + inner seal: for cable diameter 1 ... 4 mm
Thread type	metric
Thread size	M12 x 1.5
Degree of protection	IP65
Material	
Cable gland	brass, nickel-plated
Seal	Seal two-piece, synthetic rubber EDPM V0
Clamping ring	PVC
O-Ring	NBR
Mass	35 g

General information

Supplementary information	observe mounting instructions
---------------------------	-------------------------------